

## Installation Guide

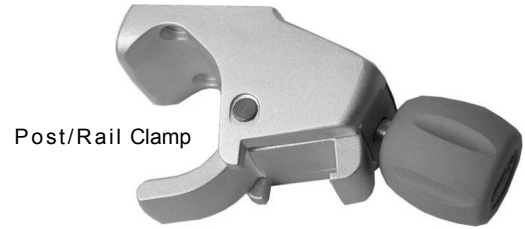
Mounting Clamp for Post (.75" [19 mm] to 1.5" [38 mm] Diameter) or Rail (10 mm x 25 mm)

The purpose of this guide is to describe attachment of clamp to instrument, and mounting on post or rail.

### Parts Reference

The following parts and hardware are included with this installation kit (major components identified in photo):

Item #	Description	Qty
1	Post/Rail Clamp	1
2	M4 x 8mm Pan Head Machine Screw (PHMS)	2
3	M4 x 10mm PHMS	2
4	M4 x 12mm PHMS	2
5	#8-32 x 3/8" PHMS	2
6	#8-32 x 7/16" PHMS	2
7	#8-32 x 1/2" PHMS	2
8	#10-32 x 5/16" 100° Flat Head Machine Screw (FHMS)	4
9	#10-32 x 5/16" PHMS	4



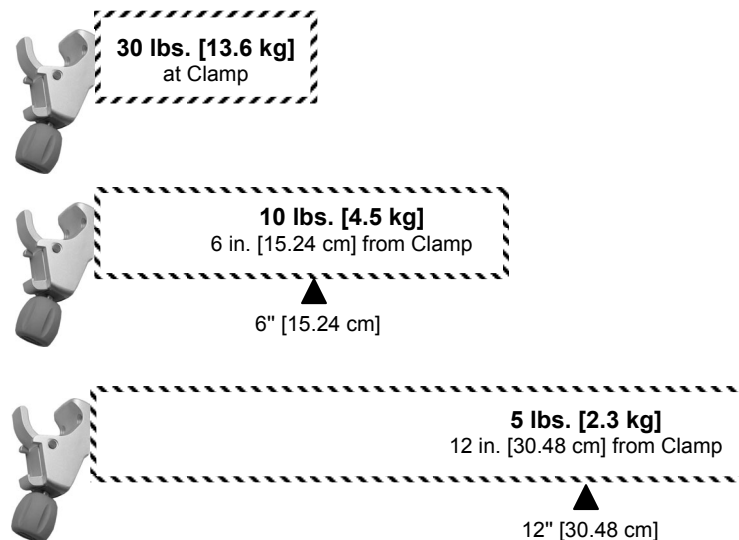
**Tools Required:** Phillips screwdriver.

### Weight Limits for the Clamp

The maximum weight limit is 30 lbs [13.6 kg]. for an instrument attached directly to the Clamp. As the mounted instrument is extended away from the Clamp, different weight limitations must be observed as described below.



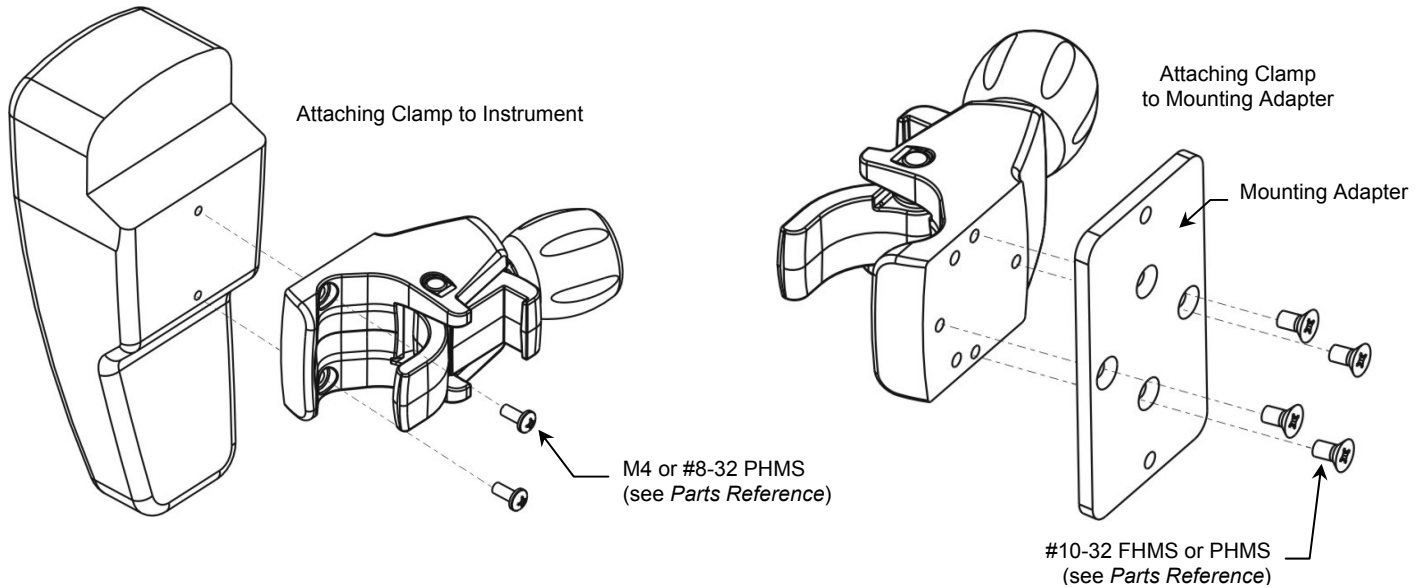
**WARNING: Do not exceed weight limits shown in illustrations below.**



## Attaching the Post/Rail Clamp to an Instrument

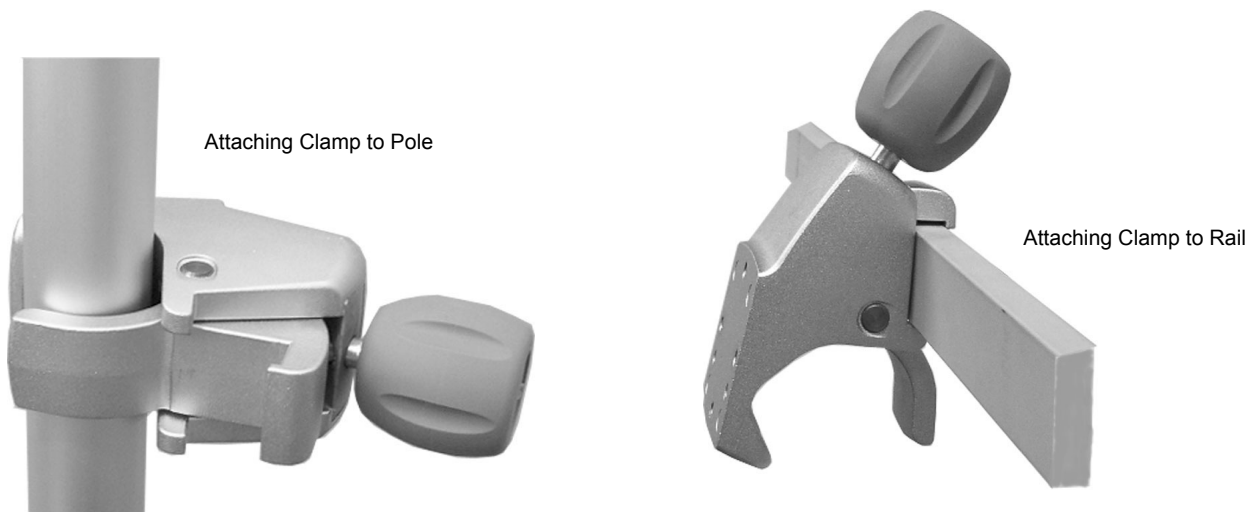
The Post/Rail Clamp includes a selection of hardware to accommodate a variety of applications. The Clamp may be fastened directly to the instrument (example below left), or may require an instrument-specific mounting adapter (example below right) for attaching instrument to Clamp. Mounting adapters are supplied separately by GCX Corporation or by the instrument manufacturer.

1. Evaluate application and select appropriate mounting hardware.
2. Fasten Clamp to instrument (below left) or to mounting adapter (below right).



## Mounting Clamp on Post (.75" [19 mm] to 1.5" [38 mm] Dia.) or Rail (10 mm x 25 mm)

1. Open Clamp by turning knob counterclockwise (CCW). Position Clamp around post or over rail and turn Knob clockwise (CW) to tighten.



## **Routine Maintenance**

Periodically inspect all hardware associated with the mounting system. Tighten or adjust as necessary for optimal operation and safety.

## **Cleaning the Mounting Assembly**

1. The mounting assembly may be cleaned with most mild, non-abrasive solutions commonly used in the hospital environment (e.g. diluted bleach, ammonia, or alcohol solutions).
2. The surface finish will be permanently damaged by strong chemicals and solvents such as acetone and trichloroethylene.
3. Do not use steel wool or other abrasive material to clean the mounting assembly.
4. Damage caused by the use of unapproved substances or processes will not be covered by warranty. We recommend testing of any cleaning solution on a small area of the arm that is not visible to verify compatibility.
5. Do not submerge or allow liquids to enter the arm. Wipe any cleaning agents off of the arm immediately using a water-dampened cloth. Dry the arm thoroughly after cleaning.

**CAUTION:** GCX makes no claims regarding the efficacy of the listed chemicals or processes as a means for controlling infection. Consult your hospital's infection control officer or epidemiologist. To clean or sterilize mounted instruments or accessory equipment, refer to the specific instructions delivered with those products.