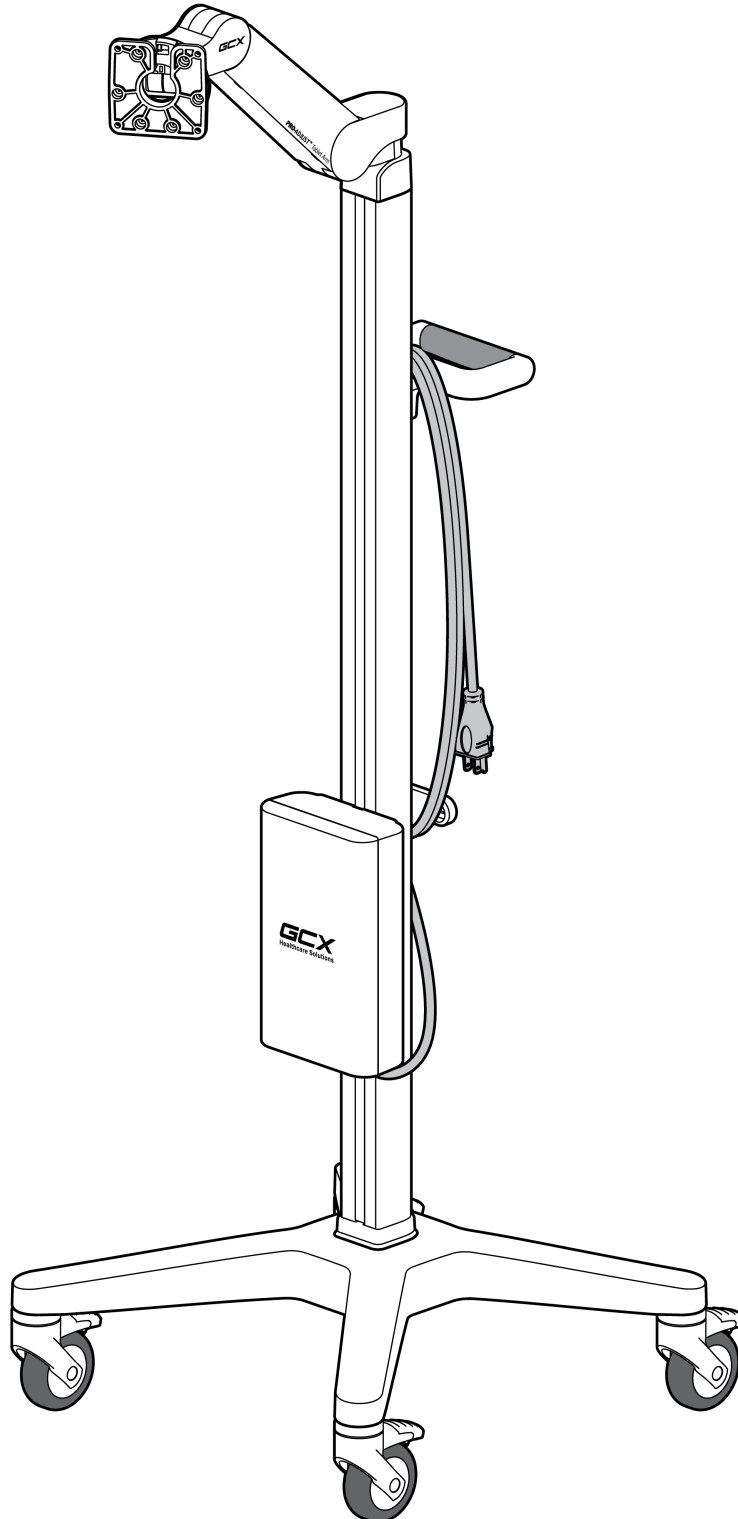


Installation Guide
**GCX[®] Adjustable Height Tablet Roll Stand (TRS) with
PRO-ADJUST[™] Tablet Arm**
(Refer to qualified personnel)

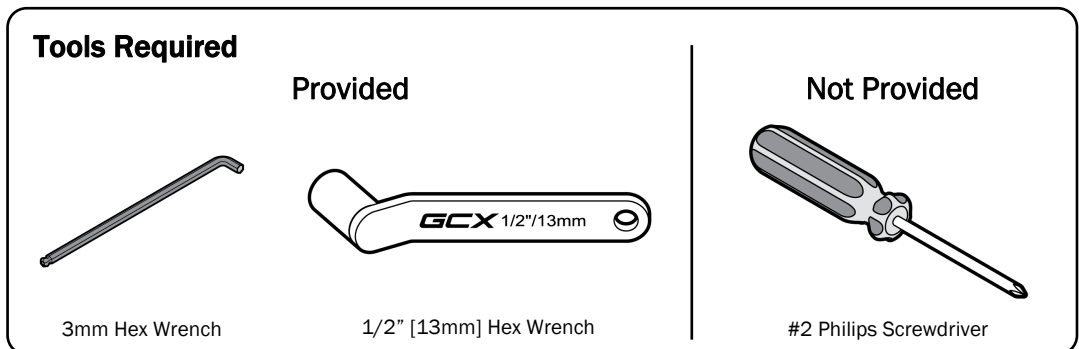
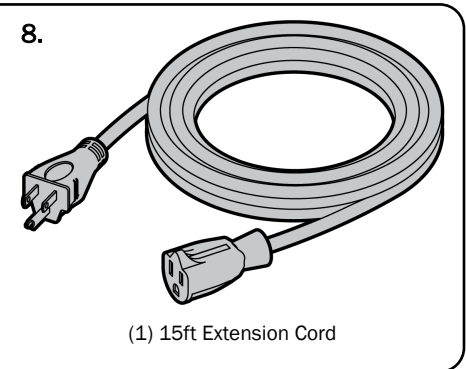
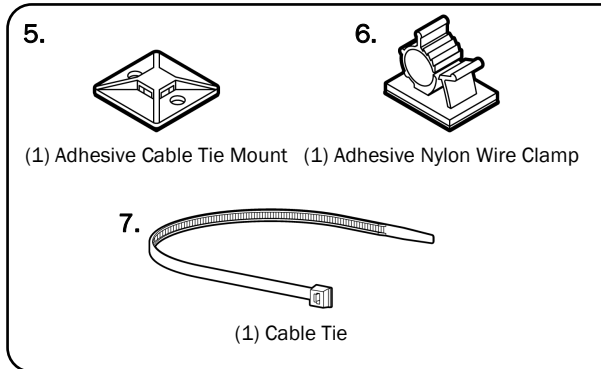
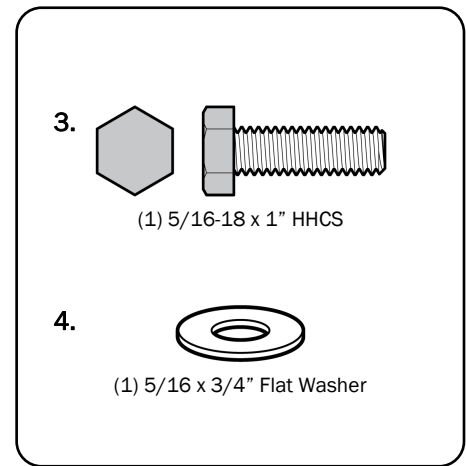
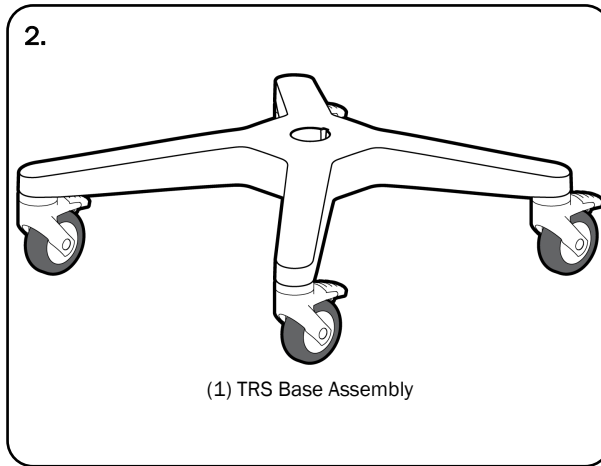
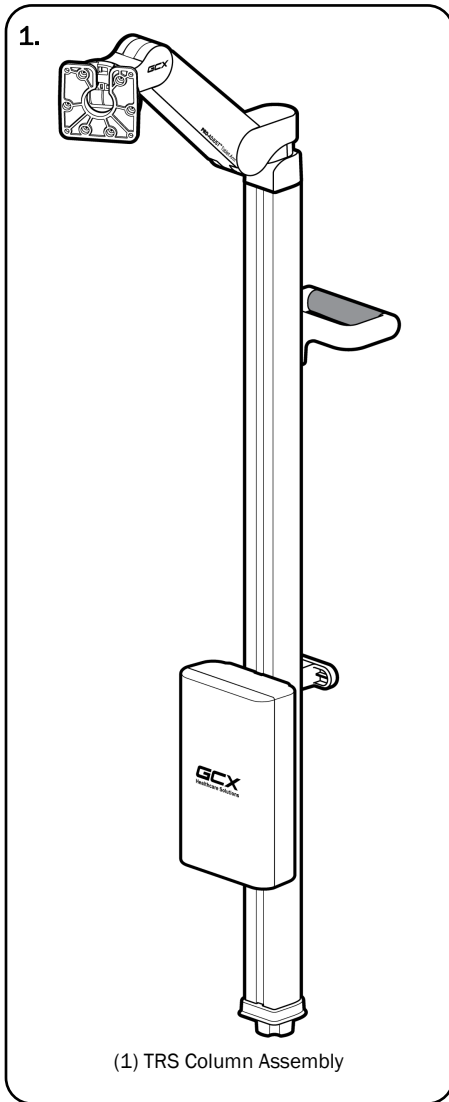


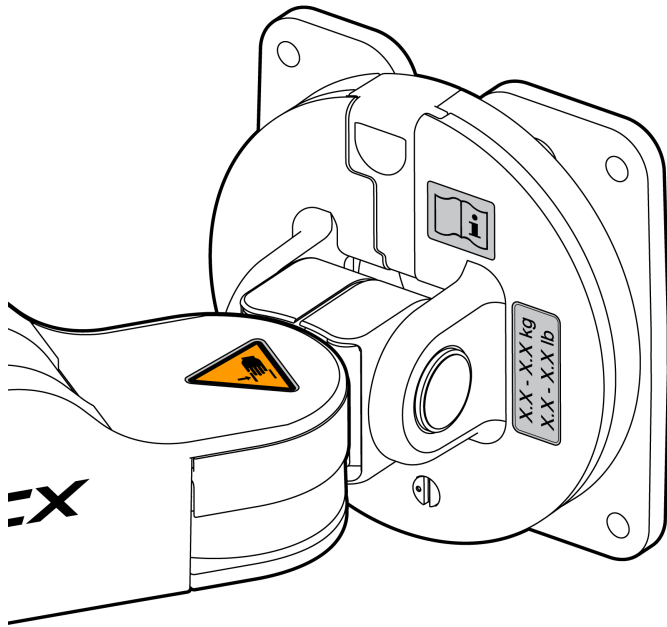
This installation guide covers the assembly and set up of the Tablet Roll Stand and its accessories.

Parts Reference

The following parts and hardware are included in this installation kit:

Item #	Description	Qty.
1	TRS Column Assembly	1
2	TRS Base Assembly	1
3	5/16-18 x 1" Hex Head Cap Screw (HHCS)	1
4	5/16 x 3/4" Flat Washer	1
5	Adhesive Cable Tie Mount	1
6	Adhesive Nylon Wire Clamp	1
7	Cable Tie	1
8	15ft Extension Cord	1

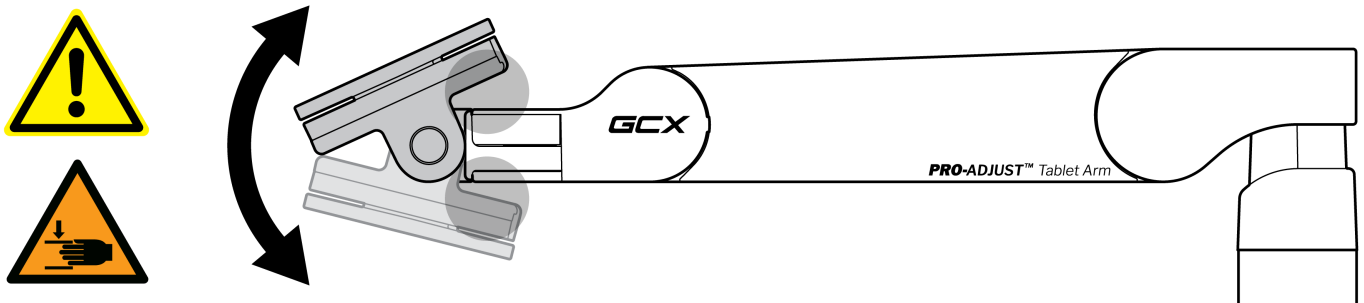
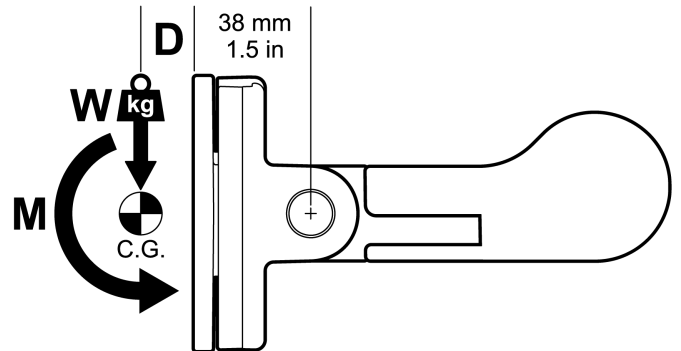
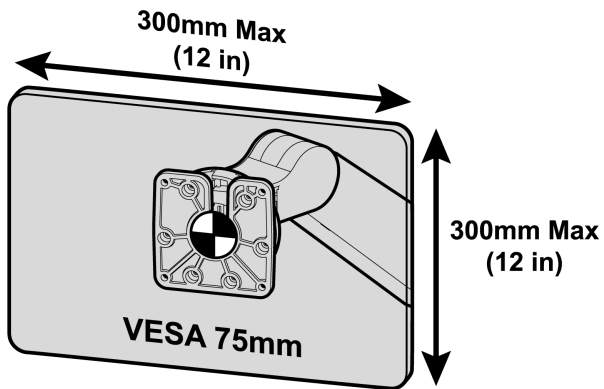




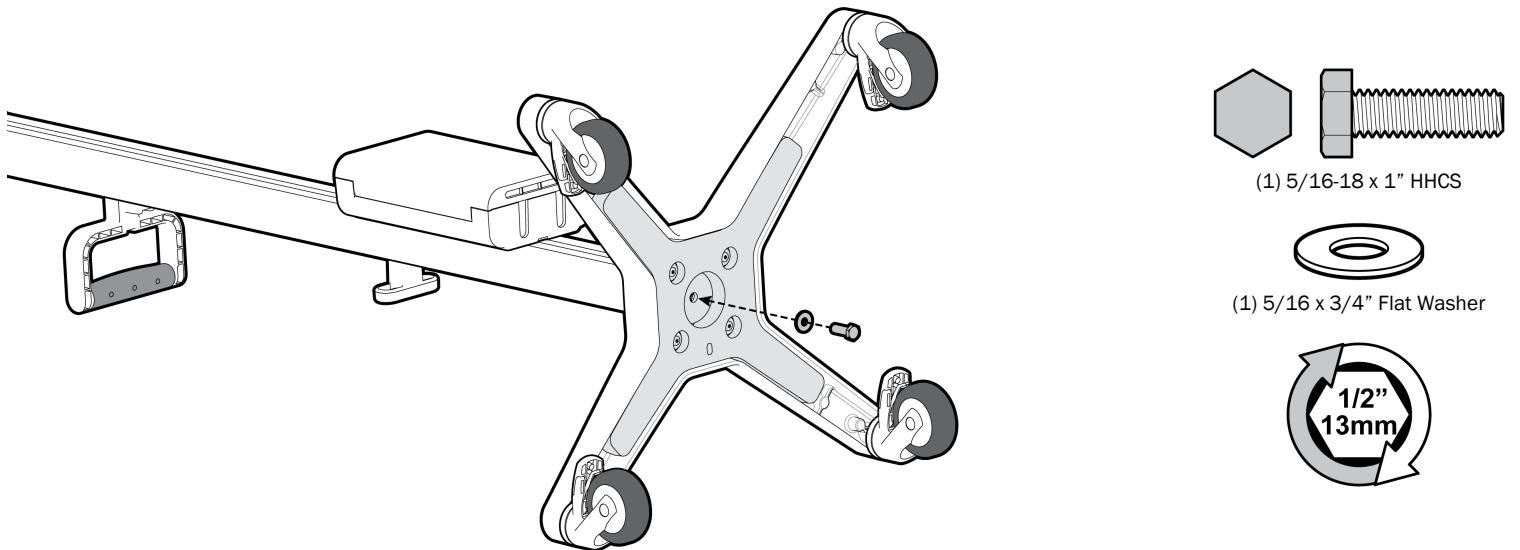
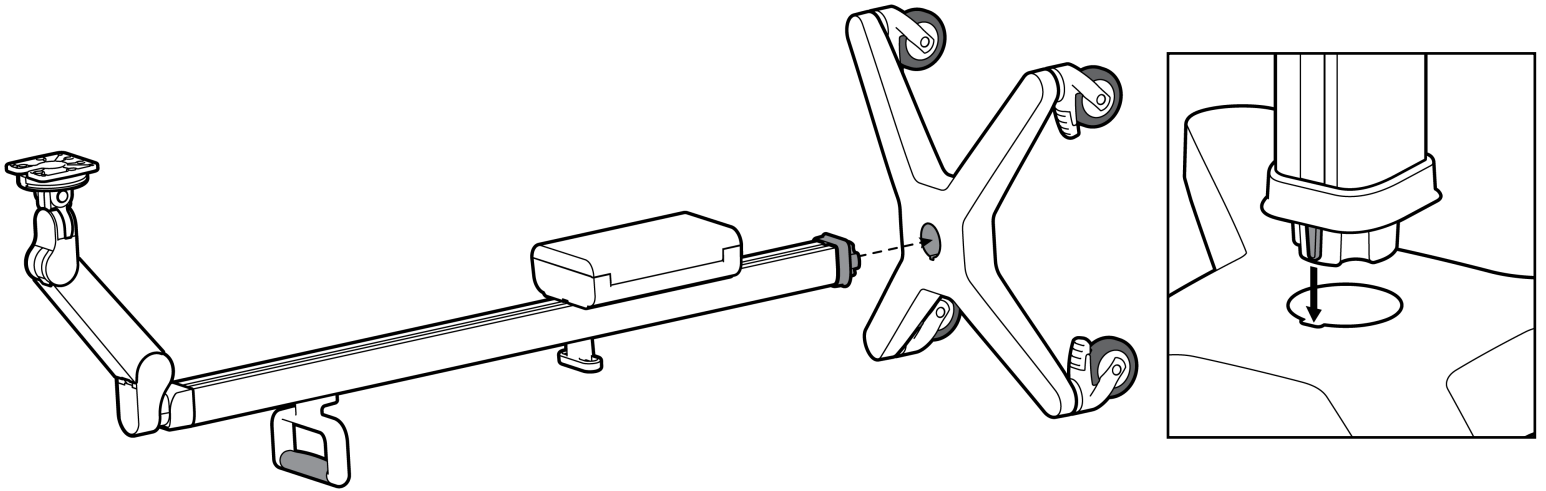
Safety label location and descriptions

	<p>Refer to Installation Guide for additional information.</p>
	<p>Potential pinch point that may cause personal injury.</p>
<p>X.X - X.X kg X.X - X.X lb</p>	<p>Counterbalance Load Range for PRO-ADJUST™ Tablet Arm</p>

Counterbalance Load Ranges (W)	Maximum Moment (M) W x (D + 38mm)
0.7 - 1.8 kg 1.5 - 4.0 lb	0.90 N-m 8.0 lb-in
1.6 - 2.7 kg 3.5 - 6.0 lb	1.36 N-m 12.0 lb-in

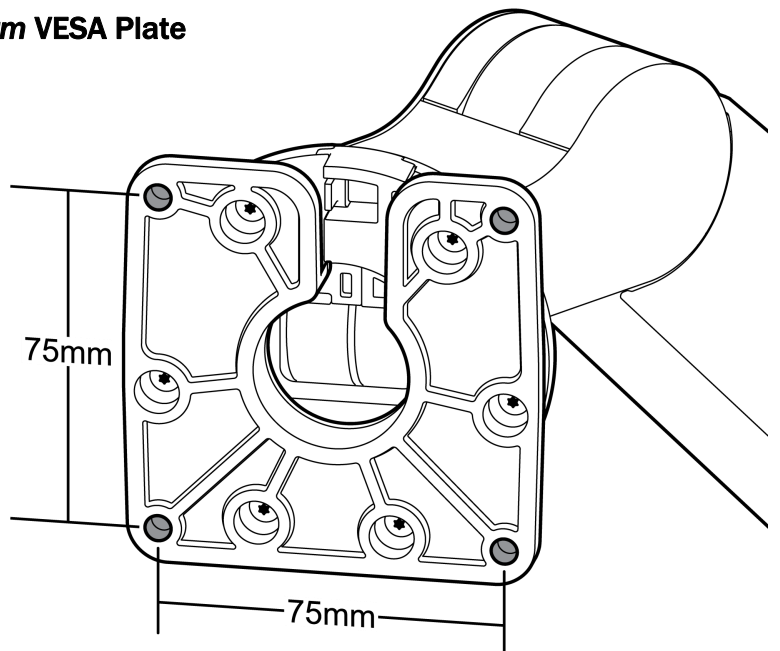


Assembling the Column to the Base



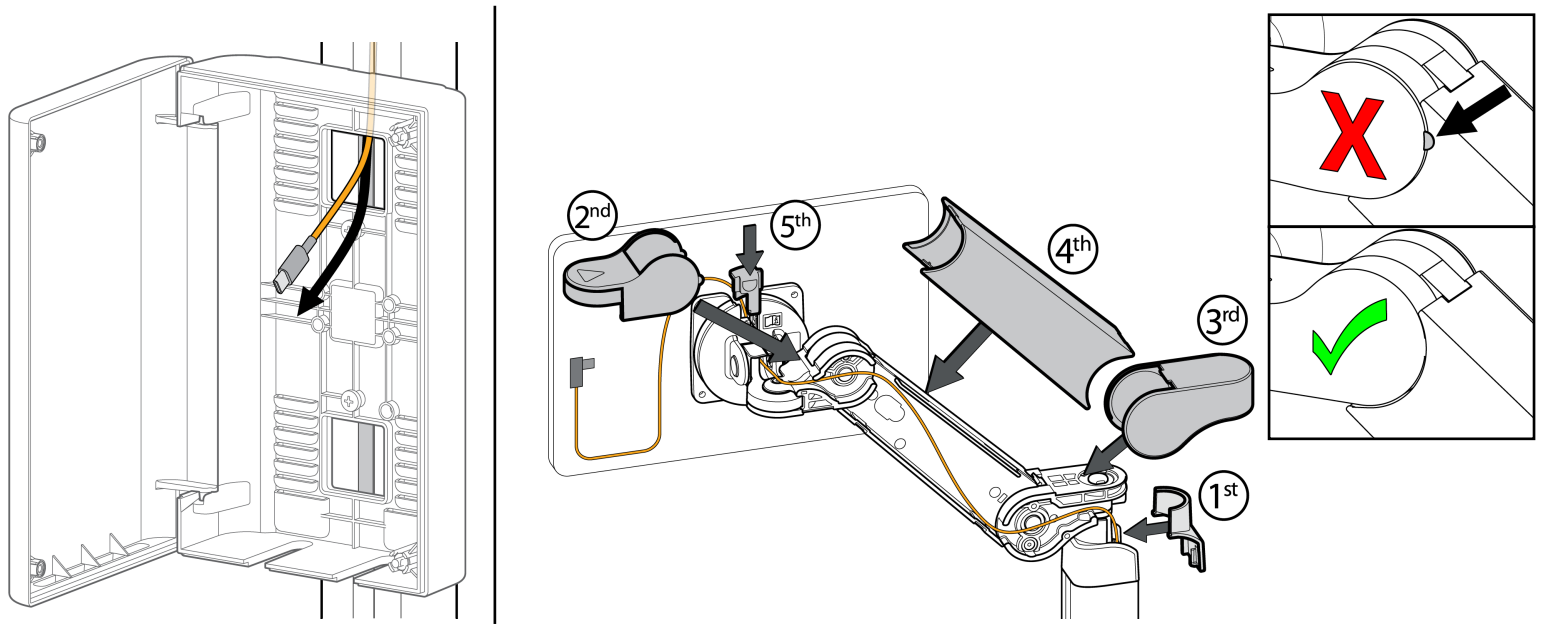
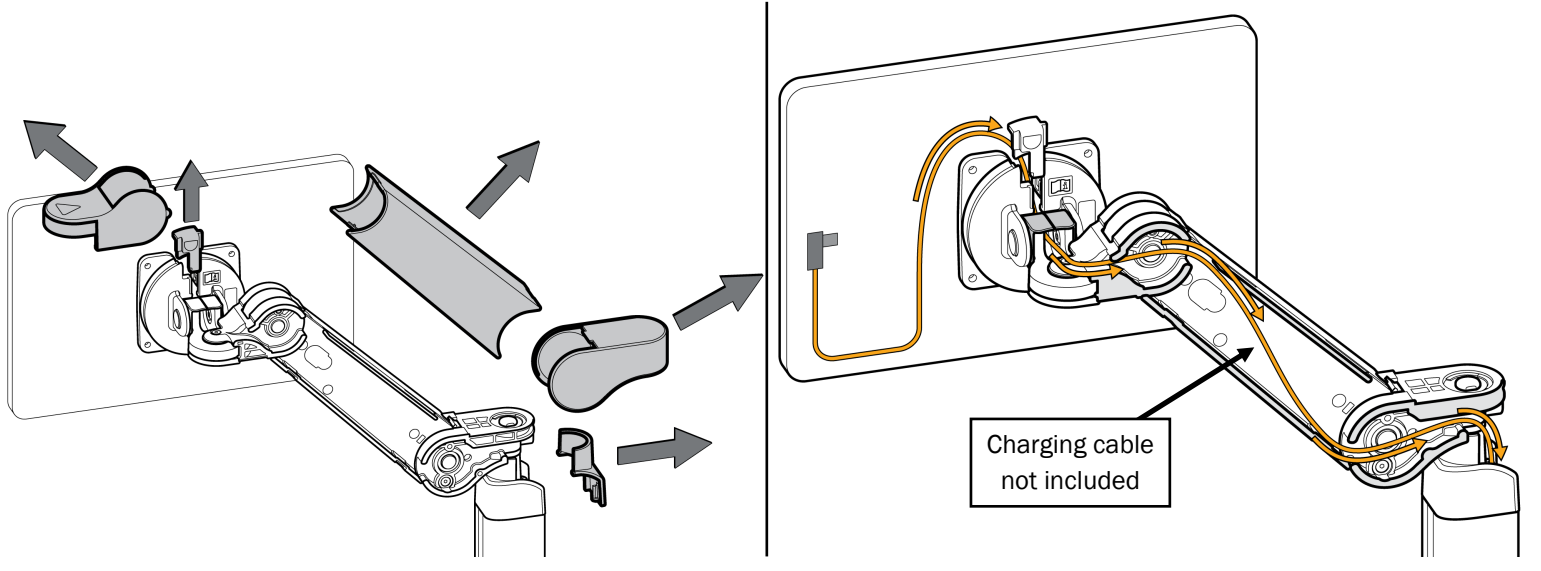
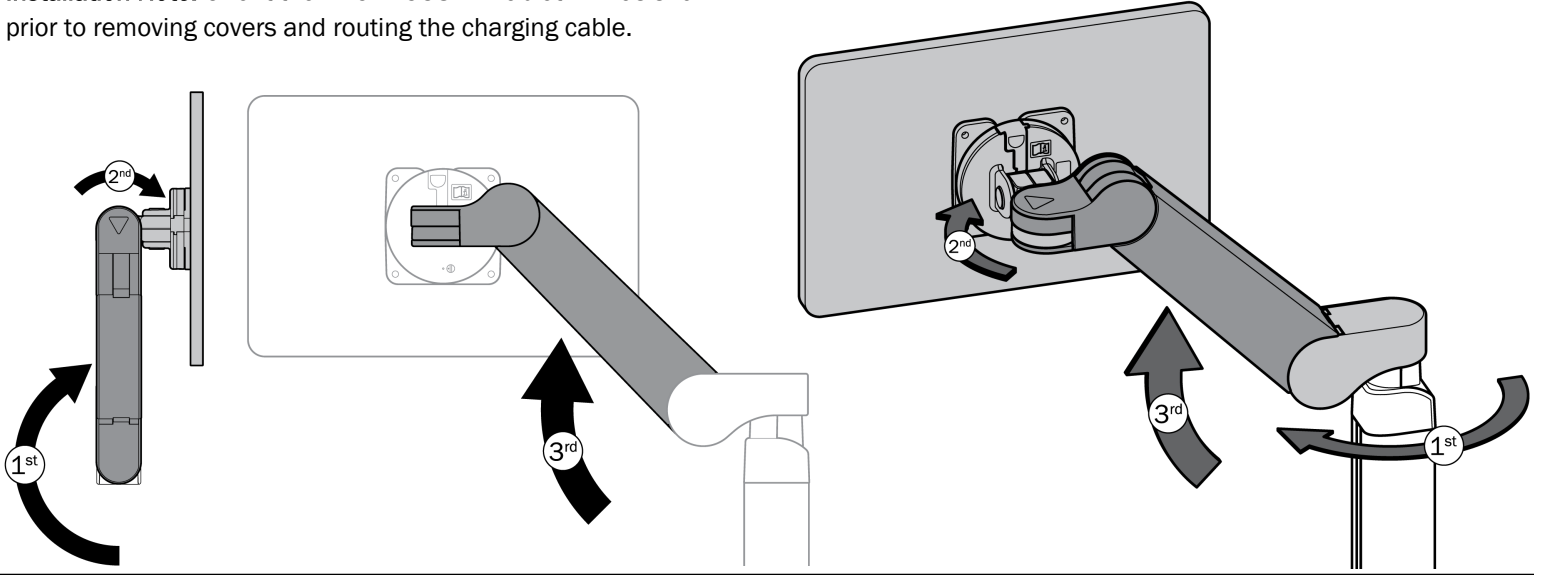
Installing a tablet mount to the *PRO-ADJUST™* Tablet Arm VESA Plate

Installation Note: Install the Tablet Enclosure or Mount to the *PRO-ADJUST™* Tablet Arm's 75x75mm VESA mount following the manufacturer's installation instructions.

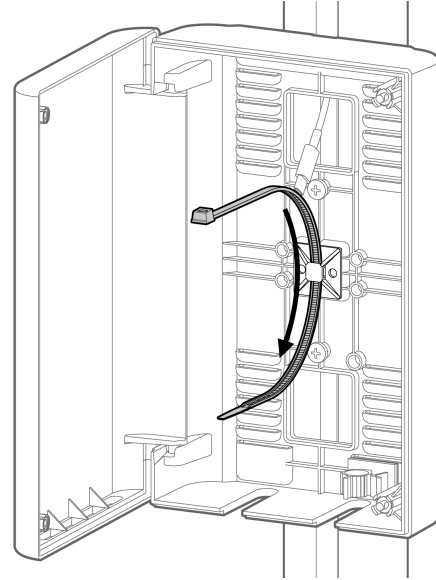
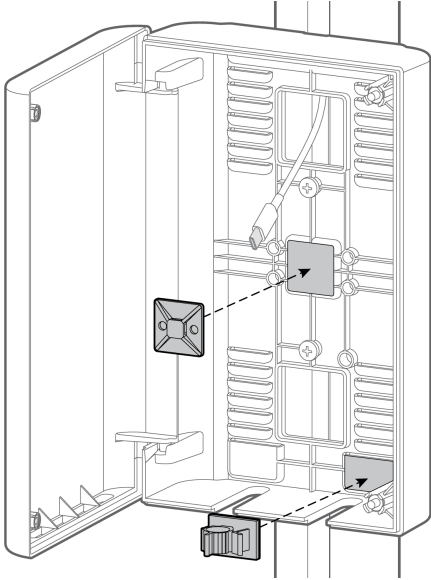



Routing the Charging Cable from Tablet Mount to Cable Box

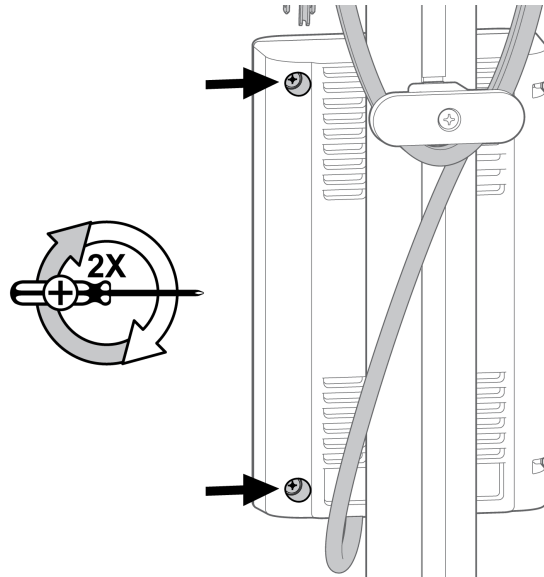
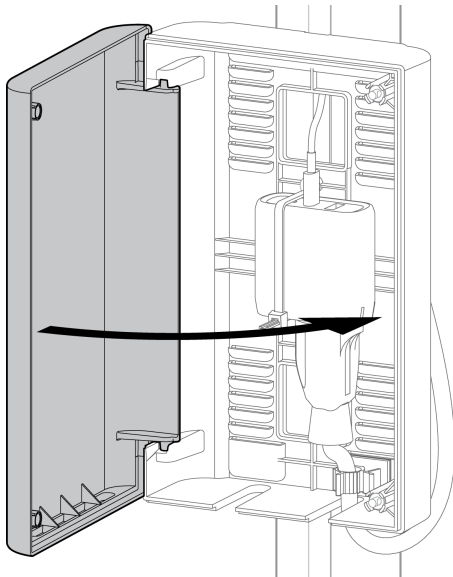
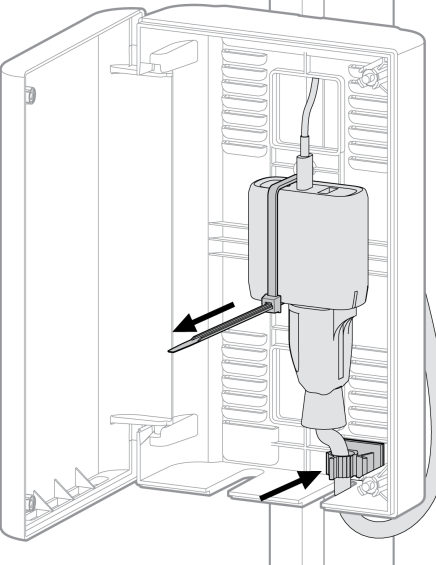
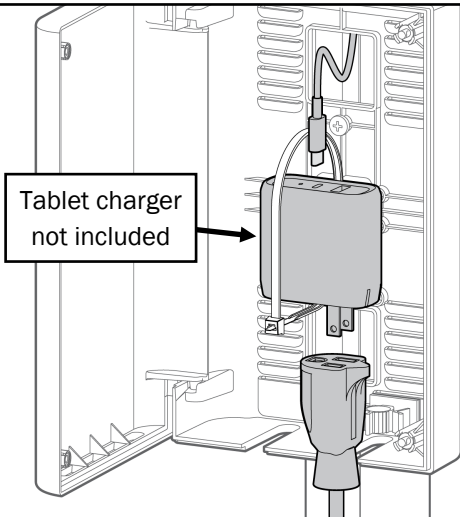
Installation Note: Orient the *PRO-ADJUST™* Tablet Arm as shown prior to removing covers and routing the charging cable.



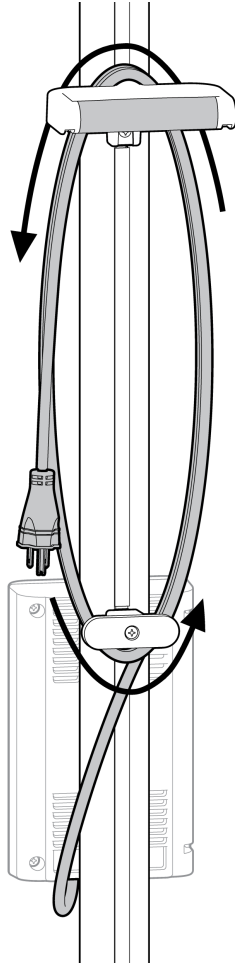
Install Tablet Charger and Power Cord in Cable Box



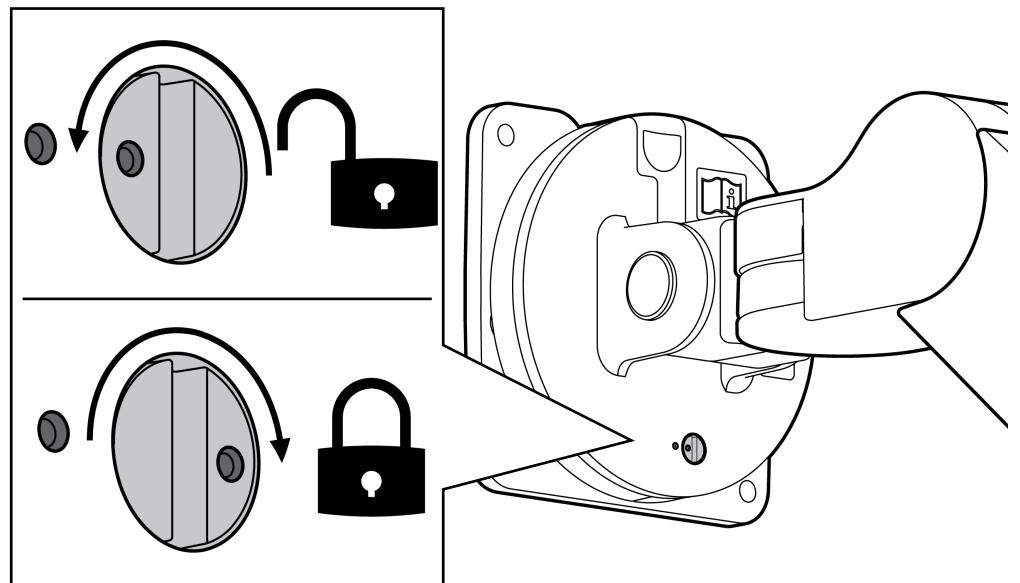
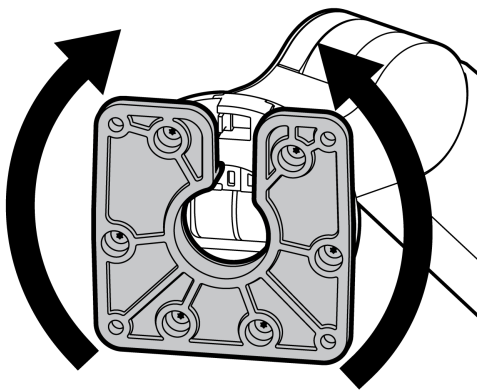
 **Warning:**
Max power rating for the Cable Box: 40W continuous



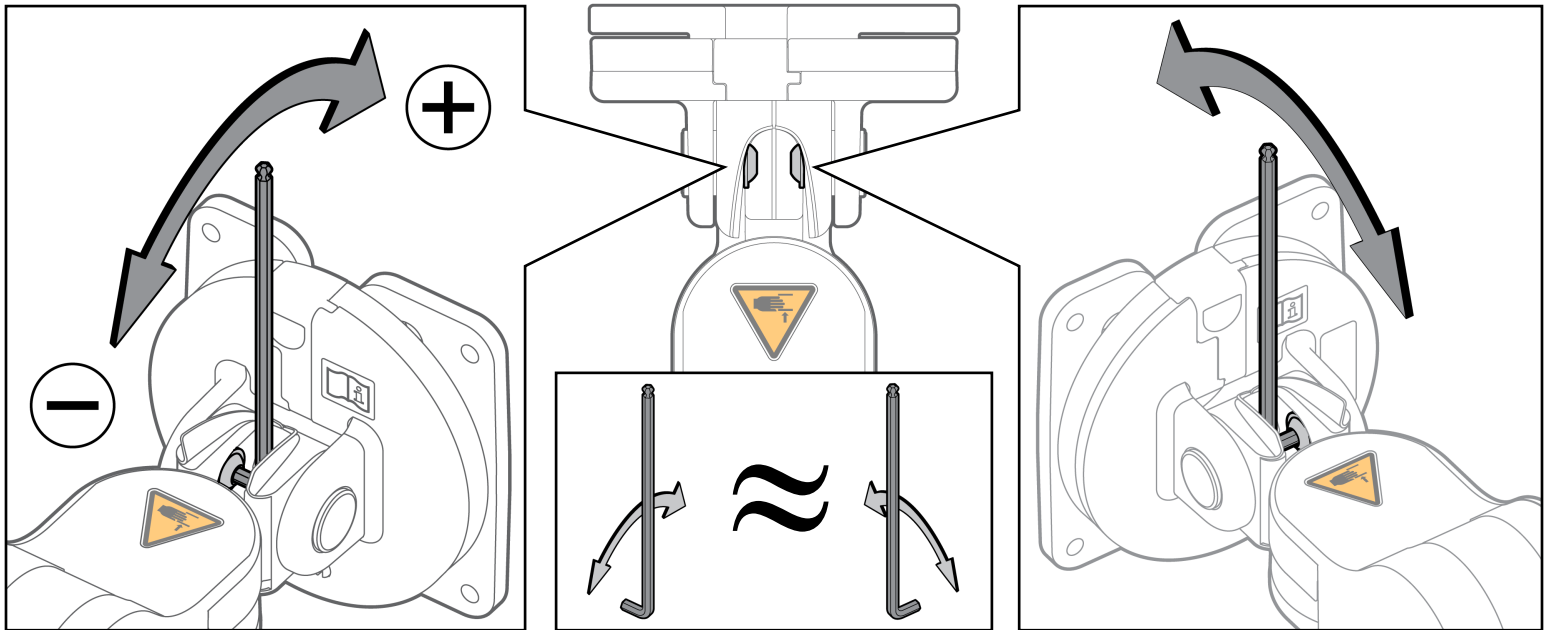
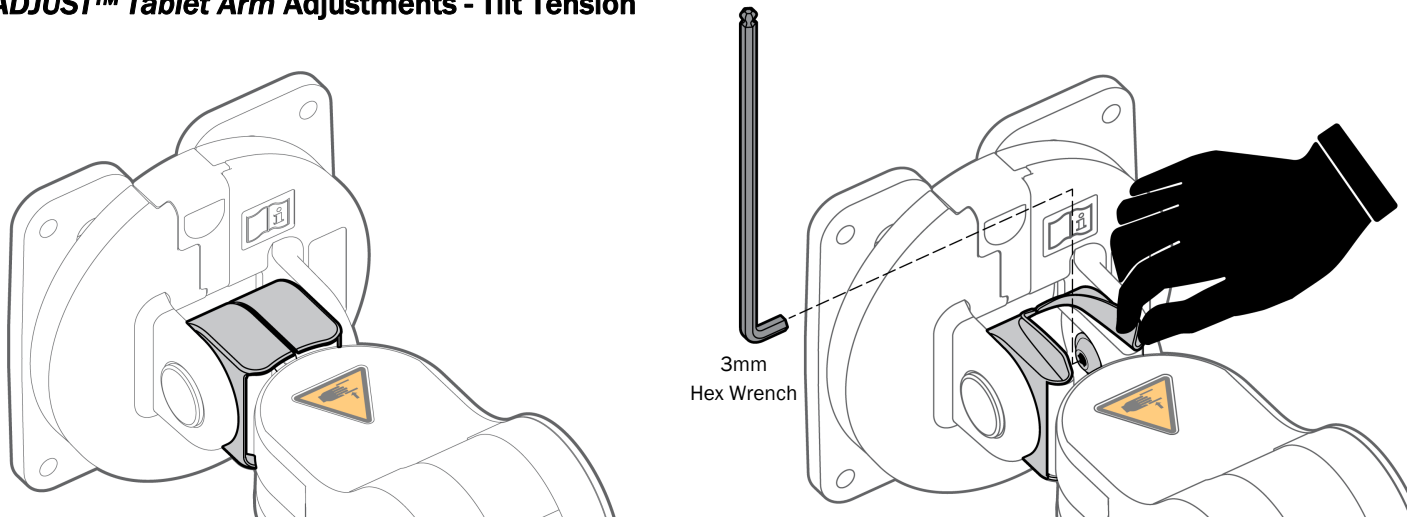
Power Cord Storage



PRO-ADJUST™ Tablet Arm Adjustments - VESA Rotation Lock/Unlock



PRO-ADJUST™ Tablet Arm Adjustments - Tilt Tension



Routine Maintenance

Periodically inspect all fasteners associated with the mounting assembly. Tighten or adjust as necessary for optimal operation and safety.

Cleaning the Tablet Roll Stand

The roll stand assembly may be cleaned with most mild, non-abrasive solutions commonly used in the hospital environment (e.g. diluted bleach, ammonia, or alcohol solutions).

The surface finish will be permanently damaged by strong chemicals and solvents such as acetone or trichloroethylene.

Steel wool or other abrasive material should never be used.

Damage caused by the use of unapproved substances or processes will not be warranted. We recommend testing of any cleaning solution on a small area of the mounting assembly that is not visible to verify compatibility.

Never submerge or allow liquids to enter the mounting assembly. Wipe any cleaning agents off the mounting assembly immediately using a water-dampened cloth. Dry the assembly thoroughly after cleaning.



CAUTION: GCX makes no claims regarding the efficacy of the listed chemicals or processes as a means for controlling infection. Consult your hospital's infection control officer or epidemiologist. To clean or sterilize mounted devices or accessory equipment, refer to the specific instructions delivered with those products.