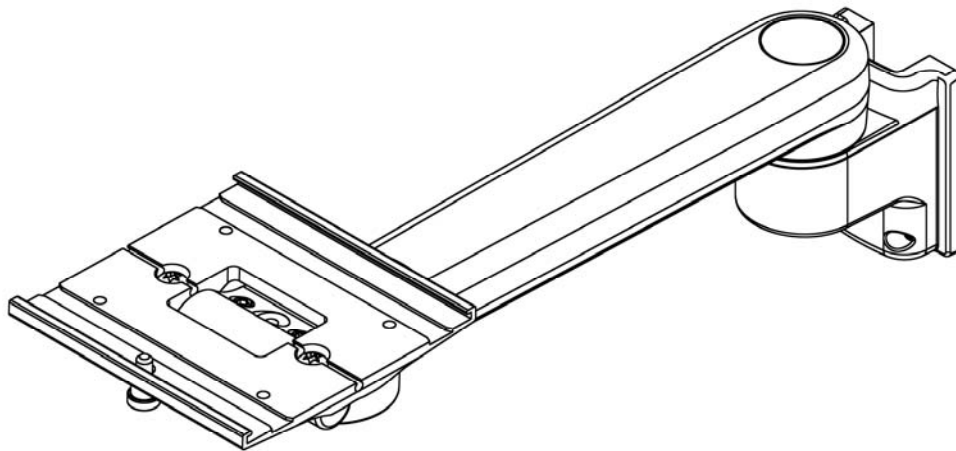


## Installation Guide

### M Series 12”/ 30.5cm Pivot Arm for Edwards LifeSciences HemoSphere

The purpose of this guide is to describe installation of the M Series Pivot Arm into a GCX Channel, the tilt adjustment, pivot adjustment, and the installation of Edwards LifeSciences HemoSphere onto the M Series Pivot Arm.



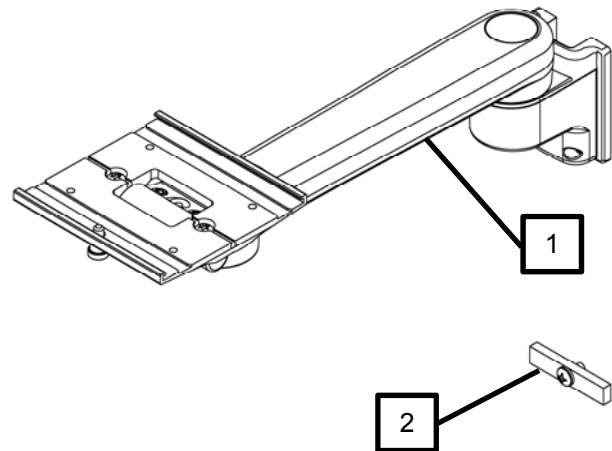
#### Parts Reference

The following parts and hardware are included in this installation kit:

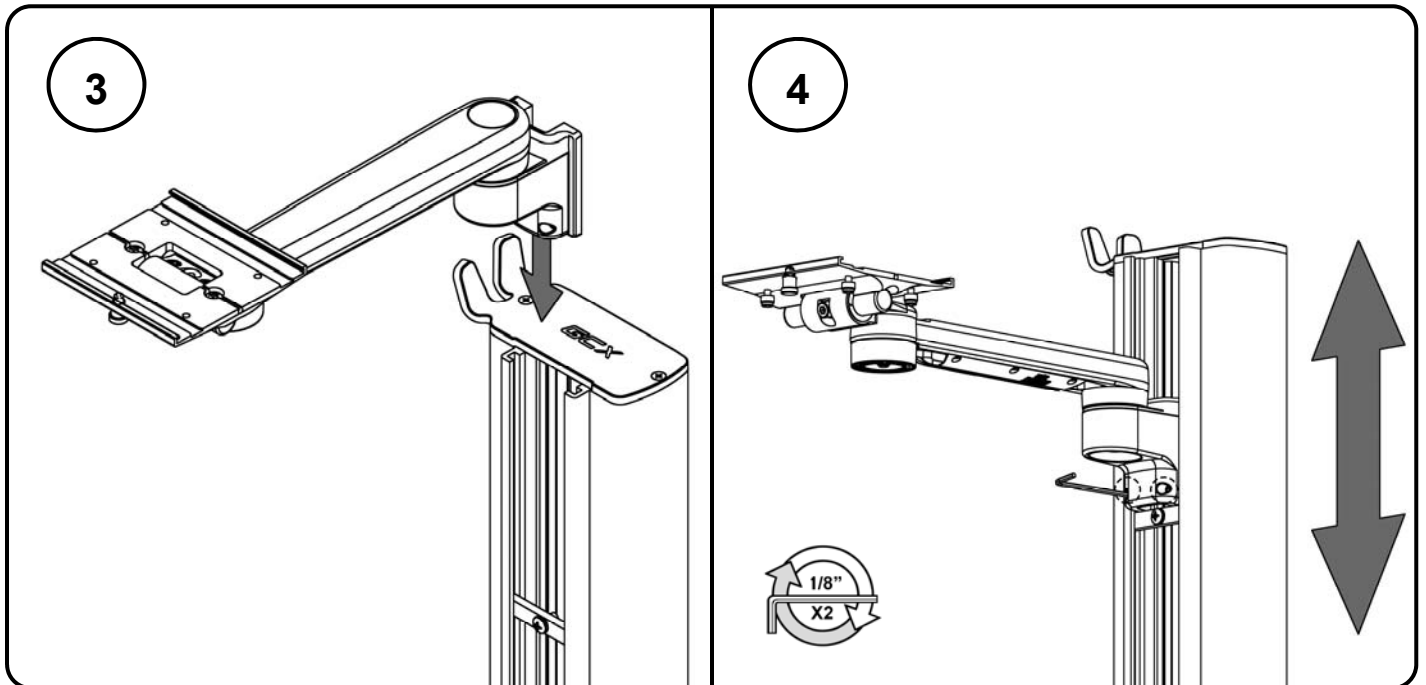
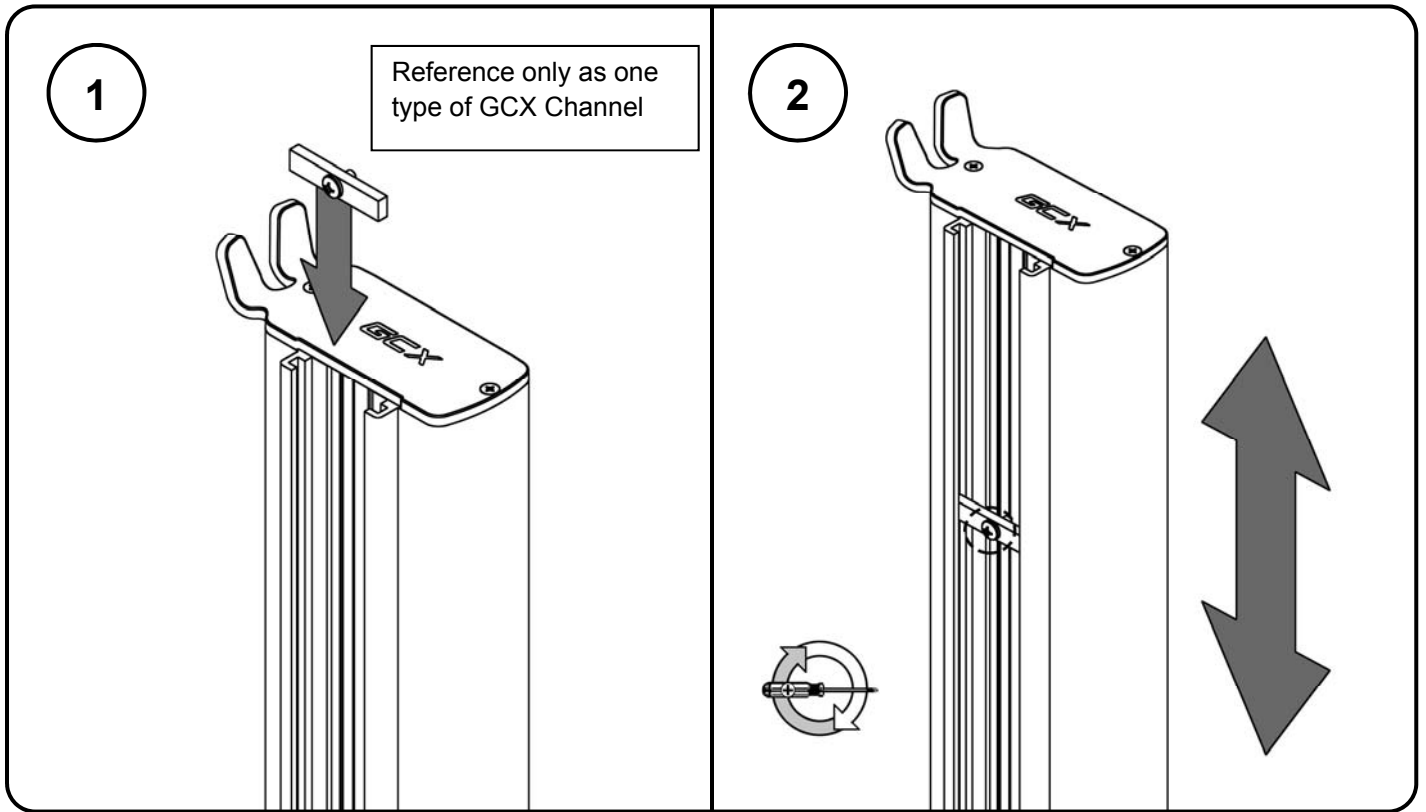
Item #	Description	Qty.
1	M Series Pivot Arm	1
2	Adjustable Stop	1

#### Tools Required:

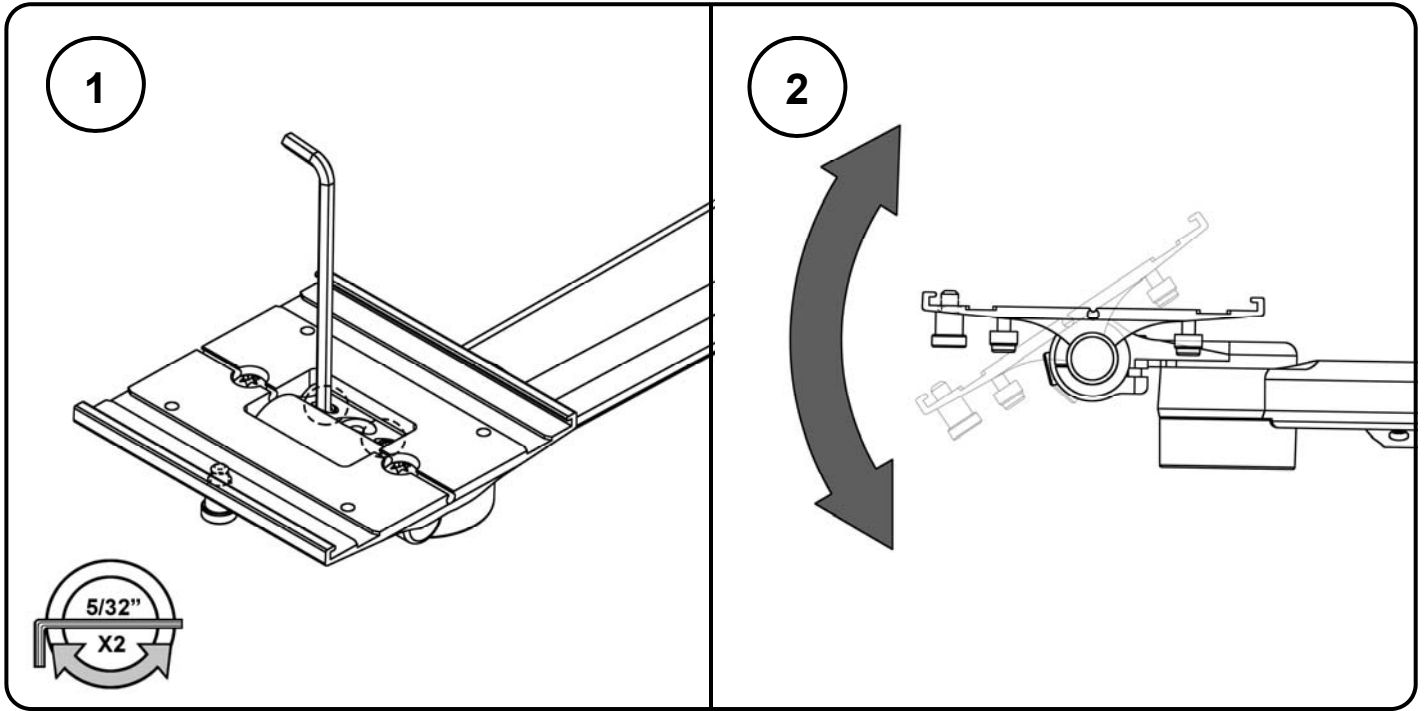
- 5/32” Hex Wrench (Provided)
- 1/8” Hex Wrench (Provided)
- 1/2” [13mm] Socket Wrench (Not Provided)
- Phillips Screw Driver (Not Provided)



Installing Arm into Channel

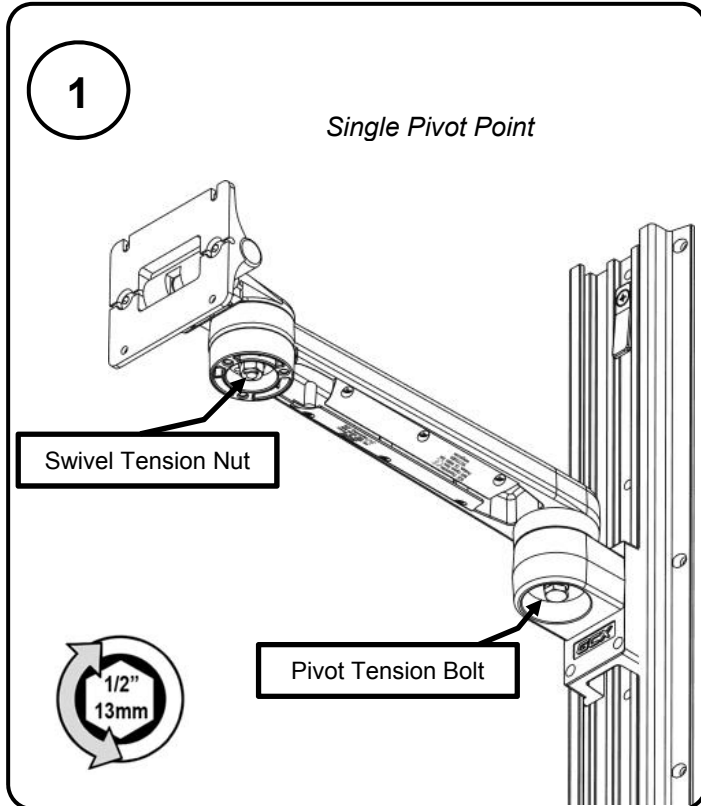


## Tilt Adjustment



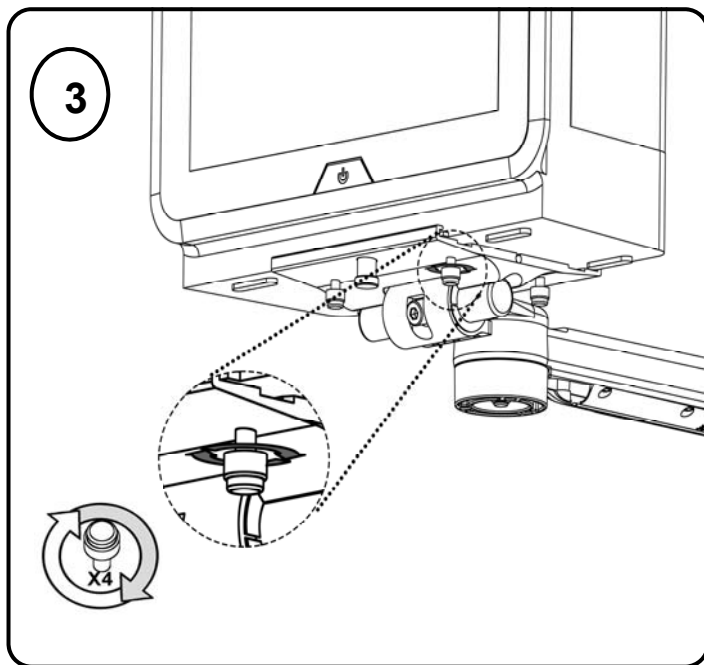
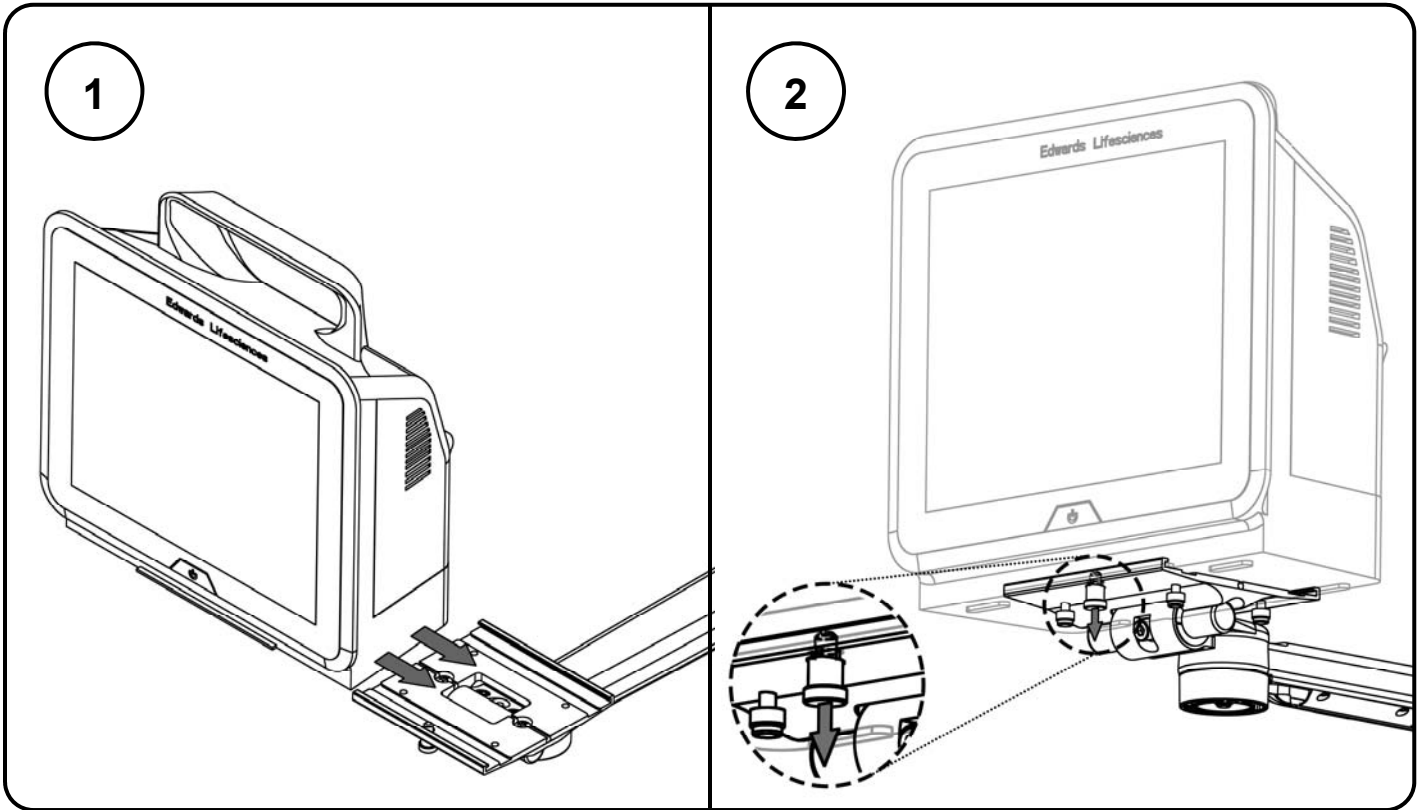
**Warning:** Tilt tension screws must be torqued to a minimum of 35 in-lbs [4.0 N-m].

## Pivot Adjustment



**Warning:** Swivel tension nut must be torqued to a minimum of 20 in-lbs [2.3 N-m].

# Installation of Hemisphere



## **Routine Maintenance**

Periodically inspect all fasteners associated with the mounting assembly. Tighten or Adjust as necessary for optimal operation and safety.

## **Cleaning the Mounting Assembly**

The mounting assembly may be cleaned with most mild, non-abrasive solutions commonly used in the hospital environment (e.g. diluted bleach, ammonia, or alcohol solutions).

The surface finish will be permanently damaged by strong chemicals and solvents such as acetone or trichloroethylene.

Steel wool or other abrasive material should never be used.

Damaged caused by the use of unapproved substances or processes will not be warranted. We recommend testing of any cleaning solution on a small area of the mounting assembly that is not visible to verify compatibility.

Never submerge or allow liquids to enter the mounting assembly. Wipe any cleaning agents off the mounting assembly immediately using a water-dampened cloth. Dry the assembly thoroughly after cleaning.



**CAUTION:** GCX makes no claims regarding the efficacy of the listed chemicals or processes as a means for controlling infection. Consult your hospital's infection control officer or epidemiologist. To clean or sterilize mounted devices or accessory equipment, refer to the specific instructions delivered with those products.