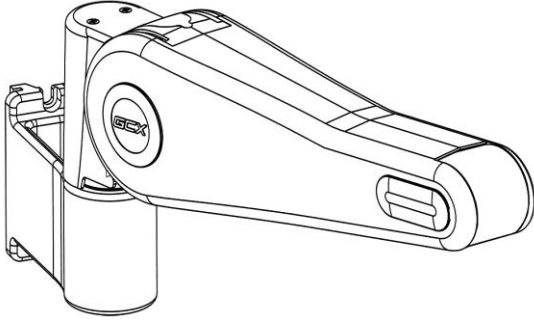


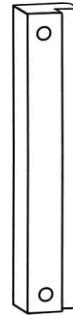
GCX Mounting Installation Guide VHM Series Arm for Philips Anesthesia Accessory Track



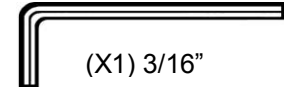
CAUTION: Counterweights must be installed in the base of the Philips AX700 before Mounting Arm.



VHM Series Arm: Refer to separate installation guide.



(X1)



(X1) 3/16"



(X2) 1/4-20 x 7/16" SHCS

