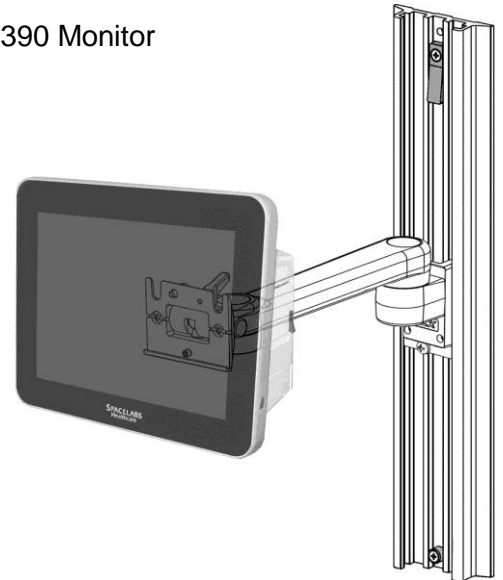


Installation Guide

M-Series Arm (12") For Spacelabs Healthcare 91390 Monitor



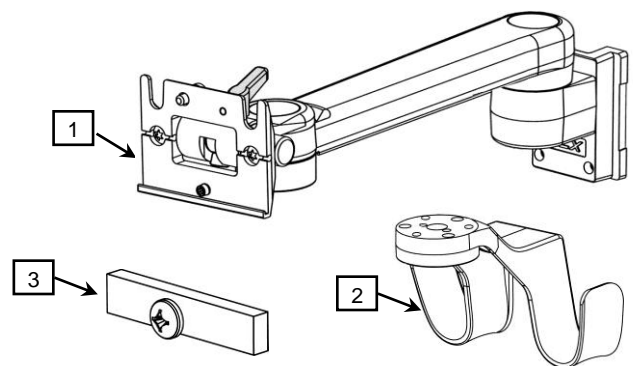
The purpose of this guide is to:

1. Describe mounting of M-Series Arm in Channel (page 2).
2. Describe attachment of Utility Hook to Arm (page 2).
3. Provide information about mounting of monitor and power supply (page 3).
4. Describe adjustments to M-Series Arm (pages 3 – 4).

Parts Reference

The following parts and hardware are included in this installation kit (hardware may not be shown):

Item #	Description	Qty
1	M-Series Arm, 12" with Drop-On Style Mounting Plate	1
2	Utility Hook with mounting hardware	1
3	Adjustable Stop	1
4	1/8" Hex Wrench	1
5	5/32" Hex Wrench	1
6	Channel Cover, 16" (includes instructions)	1

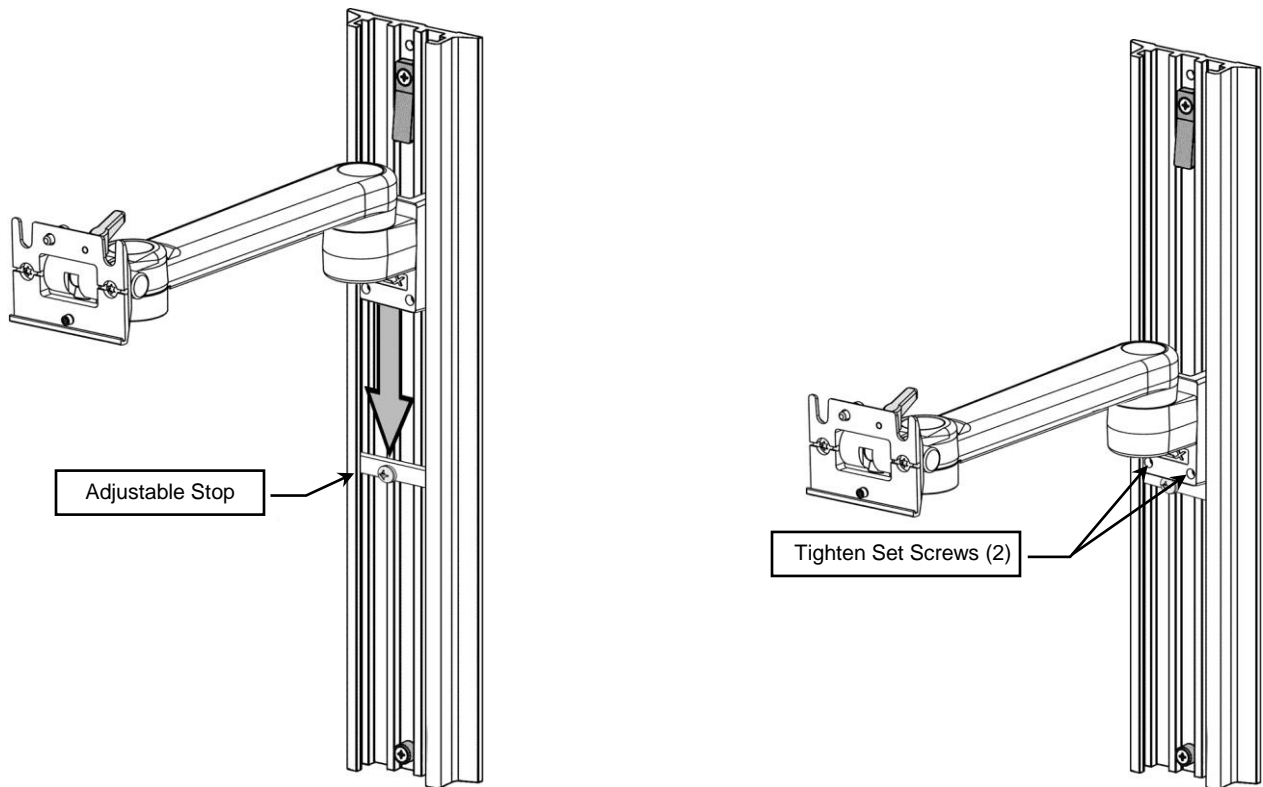


Tools Required

1/8" and 5/32" hex wrenches (provided), Phillips screwdriver (not provided).

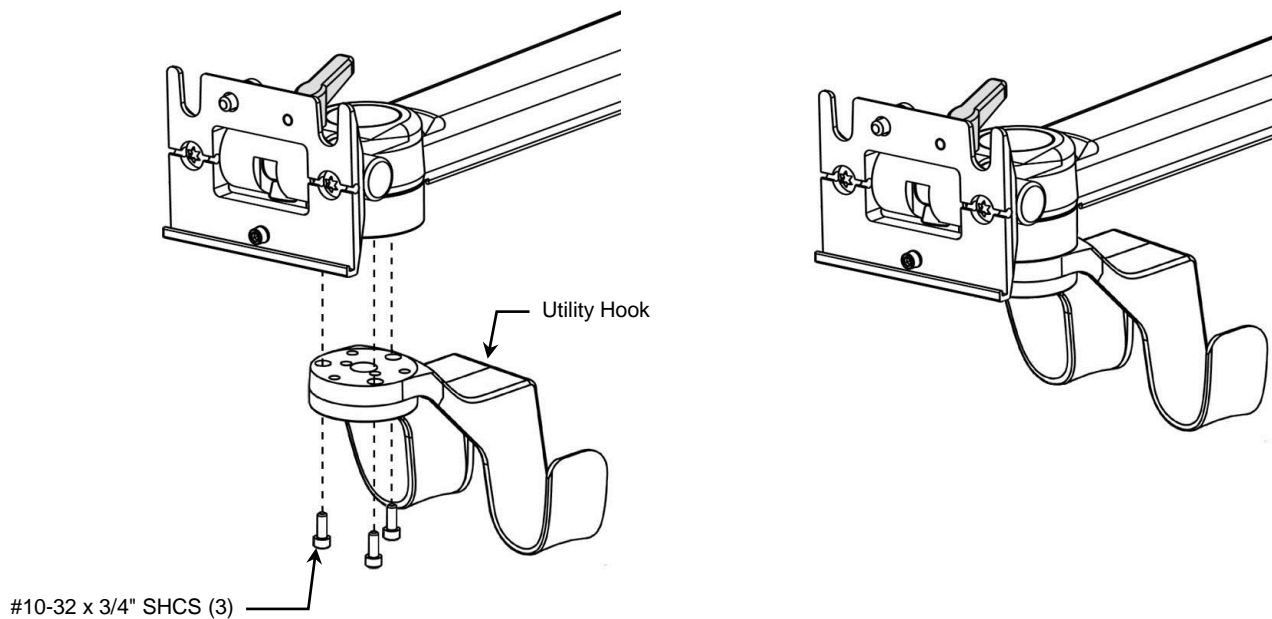
Mounting M-Series Arm in Channel

1. Install Arm by guiding Slide (rear of Arm) into top of Channel. Slide Arm to desired position in channel and tighten two (2) set screws (bottom of Slide) with the 1/8" hex wrench provided.



Attaching Utility Hook to M-Series Arm

1. Align three (3) mounting holes in the Utility Hook with corresponding threaded holes in Lower Swivel Fitting on bottom of Arm. Using the 5/32" [4 mm] hex wrench provided, fasten Hook to Swivel Fitting with three (3) 10-32 x 3/4" SHCS.

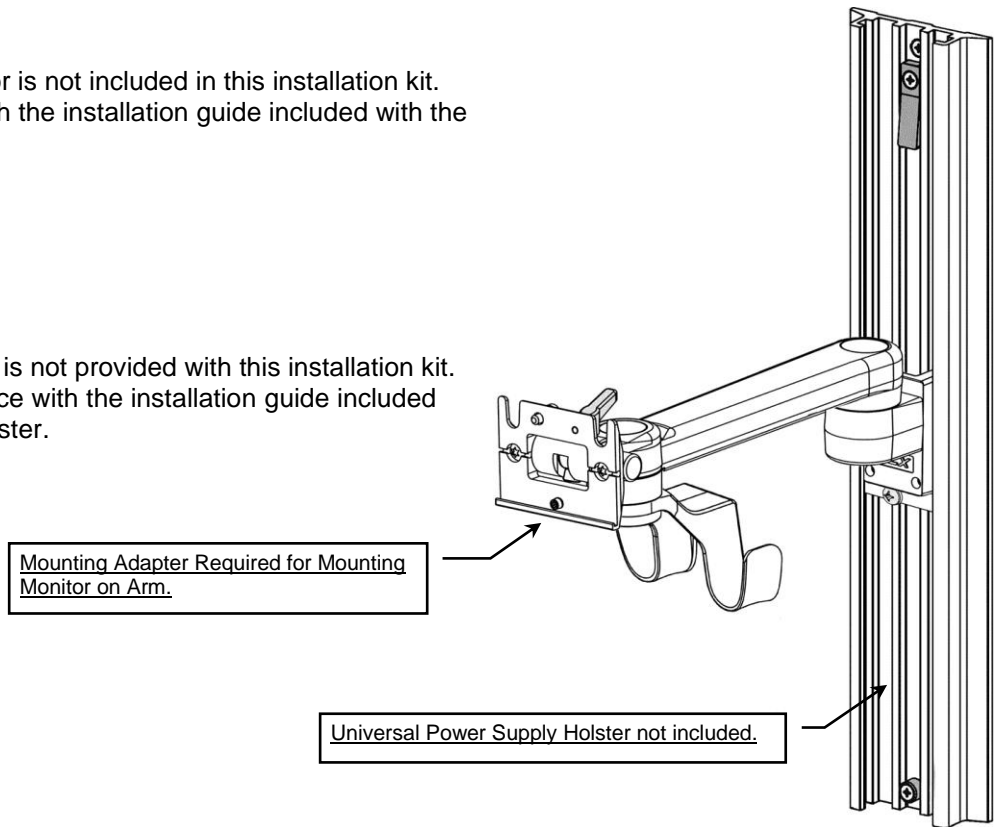


Mounting the Monitor

The Mounting Adapter for the monitor is not included in this installation kit. Mount the monitor in accordance with the installation guide included with the Mounting Adapter.

Mounting the Power Supply

The Universal Power Supply Holster is not provided with this installation kit. Mount the power supply in accordance with the installation guide included with the Universal Power Supply Holster.



Installing the Channel Cover

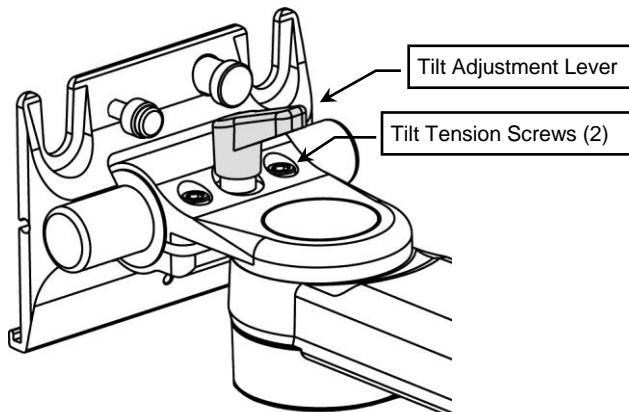
Install the Channel Cover in accordance with the *Channel Cover Installation Guide (DU-UT-0001-20)*.

M-Series Arm Adjustments

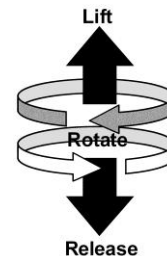
Adjusting Tilt and Tilt Tension

Tilt Adjustment: Turn Tilt Adjustment Lever counter clockwise to loosen. Lever provides ratchet-style adjustment (see **Installation Note** below). Grasp device and tilt to the desired angle. Turn Tilt Adjustment Lever clockwise (using ratchet feature as necessary) to tighten and lock position.

Tilt Tension: Adjust the overall tilting tension by equally tightening or loosening two (2) Tilt Tension Screws with the 5/32" hex key provided. Once tilt tension is set, use the Tilt Adjustment Lever to fine tune and lock the tilt position.



Installation Note: The Tilt Adjustment Lever is a multi-position clamping lever that operates by lifting, rotating, and releasing the handle.

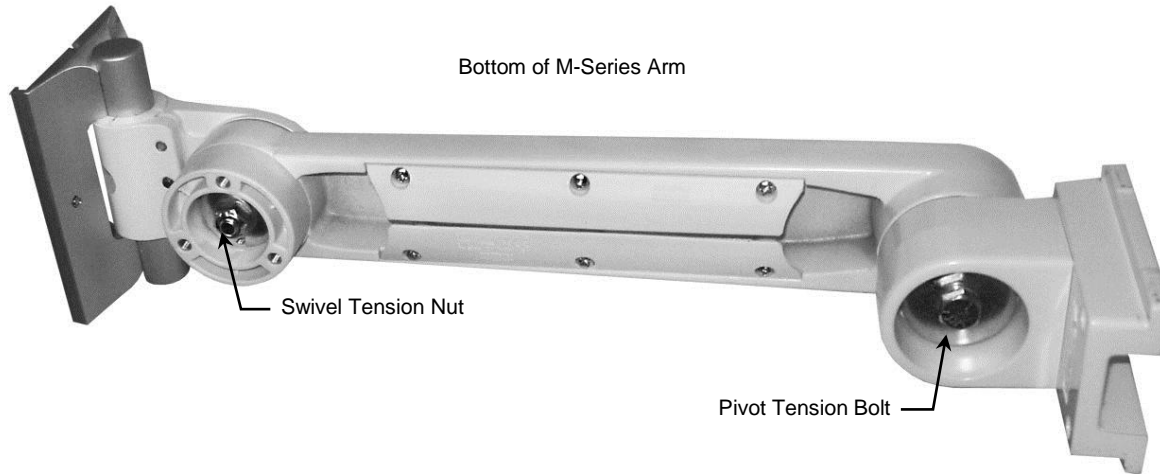


Adjusting Swivel Tension (see photo below)

1. Using 5/32" hex wrench, remove Utility Hook (not shown).
2. Tighten or loosen Swivel Tension Nut (shown below) using a 1/2" [13 mm] socket wrench.
3. Reinstall Utility Hook.

Adjusting Pivot Tension (below)

1. Using a 1/2" [13 mm] socket wrench, tighten or loosen Pivot Tension Bolt.



Periodic Maintenance

All fasteners associated with the mounting system should be inspected periodically and tightened as necessary.

Cleaning the Mounting Assembly

1. The mounting assembly may be cleaned with most mild, non-abrasive solutions commonly used in the hospital environment (e.g. diluted bleach, ammonia, or alcohol solutions).
2. The surface finish will be permanently damaged by strong chemicals and solvents such as acetone or trichloroethylene.
3. Steel wool or other abrasive material should never be used.
4. Damage caused by the use of unapproved substances or processes will not be warranted. We recommend testing of any cleaning solution on a small area of the arm that is not visible to verify compatibility.
5. Never submerge or allow liquids to enter the arm. Wipe any cleaning agents off the arm immediately using a water-dampened cloth. Dry the arm thoroughly after cleaning.

CAUTION: GCX makes no claims regarding the efficacy of the listed chemicals or processes as a means for controlling infection. Consult your hospital's infection control officer or epidemiologist. To clean or sterilize mounted devices or accessory equipment, refer to the specific instructions delivered with those products.