

GCX Mounting Assembly Installation Guide

M-Series Wall Mount Kit for Welch Allyn® Connex® VSM 6000 Series

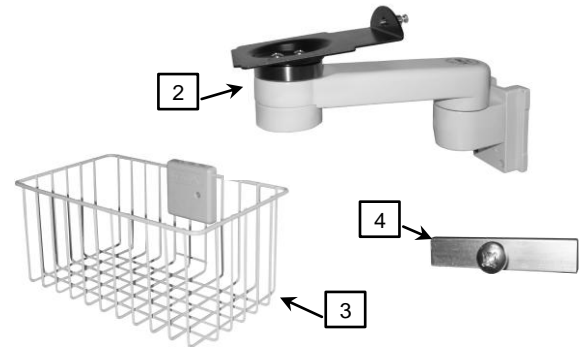


The purpose of this guide is to describe installation of the Wall Mount Kit.

Parts Reference

The parts list below includes parts and hardware that will be used in this installation procedure (hardware not shown).

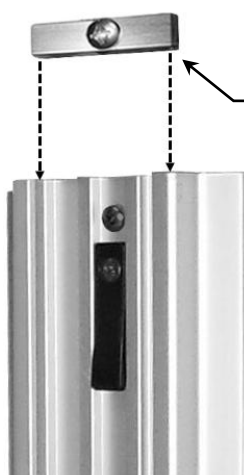
Item #	Description	Qty
1	Wall Channel Kit, 19" [48.3cm] (includes instructions - not shown)	1
2	8" [20.3cm] M-Series Arm with Mounting Adapter	1
3	Utility Basket	1
4	Adjustable Stop	2
5	1/8" Hex Wrench	1
6	Wall Channel Cover, 16" [40.6cm] (includes instructions – not shown)	1



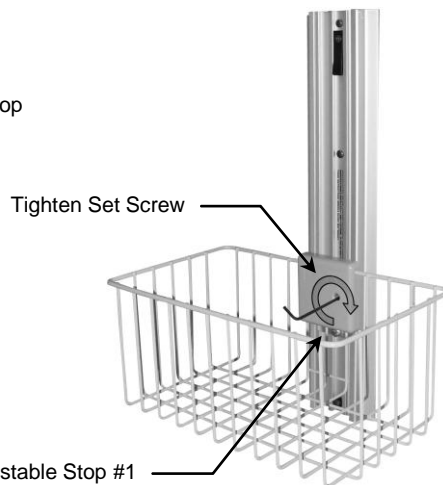
Tools Required: Phillips screwdriver (not provided), 1/8" hex wrench (provided).

Installation of Wall Mount Kit

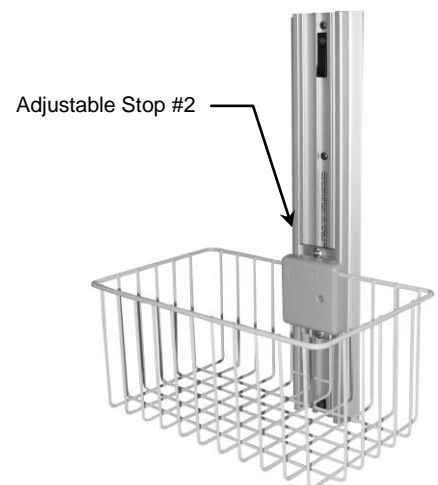
1. Install the Wall Channel in accordance with the *GCX Wall Channel Installation Instructions (DU-WC-0002)*.
2. Insert one (1) Adjustable Stop in the top of Channel and let it slide to rest against the Fixed Stop at bottom of the Channel (photo below left).
3. Install the Utility Basket by inserting the Slide (on the back of the Basket) into the top of the Channel and sliding the Basket to the desired mounting position (below center). Using a 1/8" hex wrench, tighten the Set Screw to secure the Basket in position. Slide the Adjustable Stop up the Channel to the bottom of Basket Slide and tighten the center screw in the Adjustable Stop.
4. Insert the remaining Adjustable Stop in the Channel and let it slide to the top of the Basket Slide (below right).



Adjustable Stop

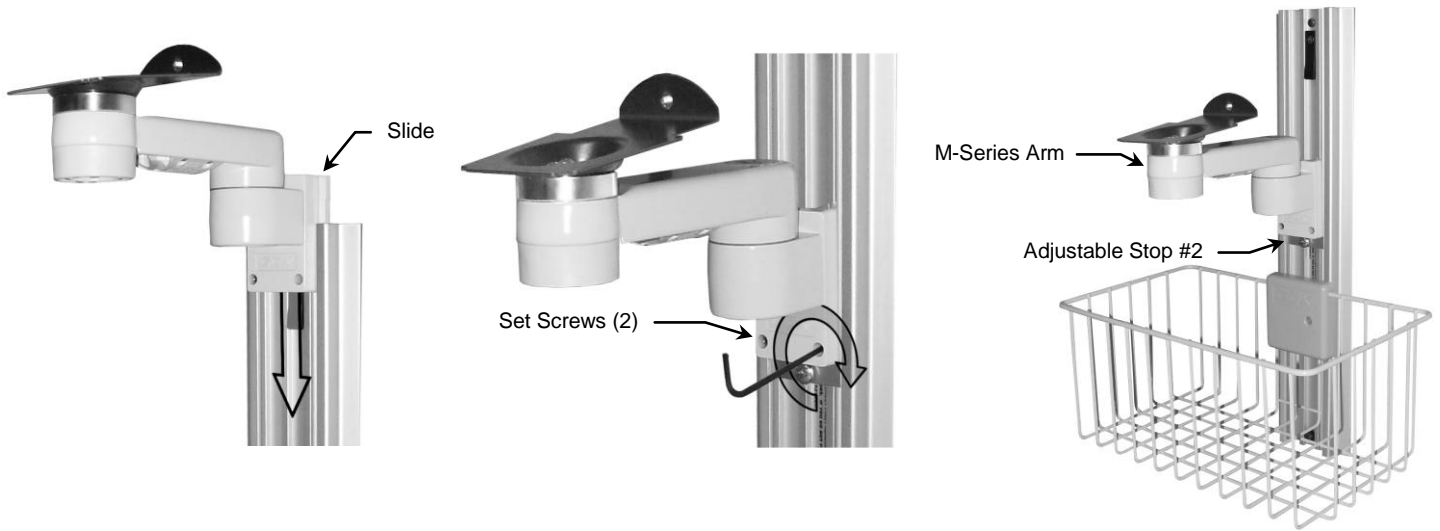


Adjustable Stop #1



Adjustable Stop #2

5. Install the Arm by guiding the Slide (rear of Arm) into the top of the Channel (below left). Slide the Arm to the desired position in the channel and tighten the two (2) set screws (bottom of the Slide) using the 1/8" hex wrench provided (below center). Slide the Adjustable Stop #2 to the bottom of Slide and tighten the center screw in the Adjustable Stop (below right).



6. Slide the monitor onto the Mounting Adapter (below left), ensuring that the tab at the front of the Adapter is inserted in the slot on the bottom of the monitor. Using a Phillips screwdriver, tighten the Mounting Screw (rear of the Mounting Adapter) into the threaded hole in the rear of the monitor (below right).



8. Install the Wall Channel Cover in accordance with the *Channel Cover Installation Guide (DU-UT-0001-20)*.

Arm Adjustments

Pivot and Swivel Tension Bolts are shown in photo below.

Swiveling the Monitor

Grasp the sides of monitor and swivel to the desired position.

Adjusting Swivel Tension

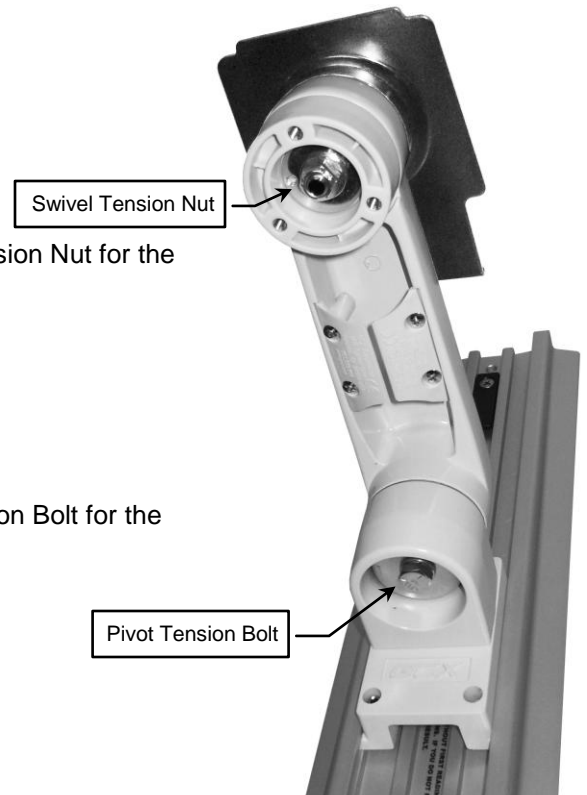
Using the 1/2" [13 mm] socket wrench, tighten or loosen the Swivel Tension Nut for the desired swivel resistance.

Pivoting the Arm

Push or pull on the side of the Arm.

Adjusting Pivot Tension

Using the 1/2" [13 mm] socket wrench, tighten or loosen the Pivot Tension Bolt for the desired pivot resistance.



Routine Maintenance

Periodically inspect all hardware associated with the mounting system. Tighten or adjust as necessary for optimal operation and safety.

Cleaning the Mounting Assembly

1. The mounting assembly may be cleaned with most mild, non-abrasive solutions commonly used in the hospital environment (e.g. diluted bleach, ammonia, or alcohol solutions).
2. The surface finish will be permanently damaged by strong chemicals and solvents such as acetone and trichloroethylene.
3. Do not use steel wool or other abrasive material to clean the mounting assembly.
4. Damage caused by the use of unapproved substances or processes will not be covered by the warranty. We recommend testing of any cleaning solution on a small area of the arm that is not visible to verify compatibility.
5. Do not submerge or allow liquids to enter the arm. Wipe any cleaning agents off of the arm immediately using a water-dampened cloth. Dry the arm thoroughly after cleaning.

CAUTION: GCX makes no claims regarding the efficacy of the listed chemicals or processes as a means for controlling infection. Consult your hospital's infection control officer or epidemiologist. To clean or sterilize mounted instruments or accessory equipment, refer to the specific instructions delivered with those products.