

Installation Guide

Welch Allyn SURETEMP 690/692 Wall Holder Mount for GCX Channel

(GCX Channels include GCX Wall Channels, VHRC™ Roll Stands, GE DINAMAP® Mobility Workstation)
(Refer to qualified personnel)

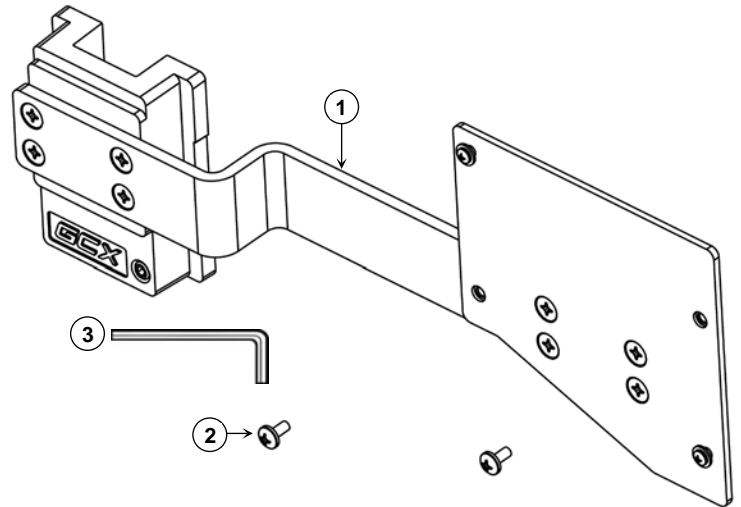
The purpose of this guide is to:

1. Describe installation of the mount.
2. Describe mounting the WelchAllyn Wall Holder to the mount.

Parts Reference

The following items are included in this kit:

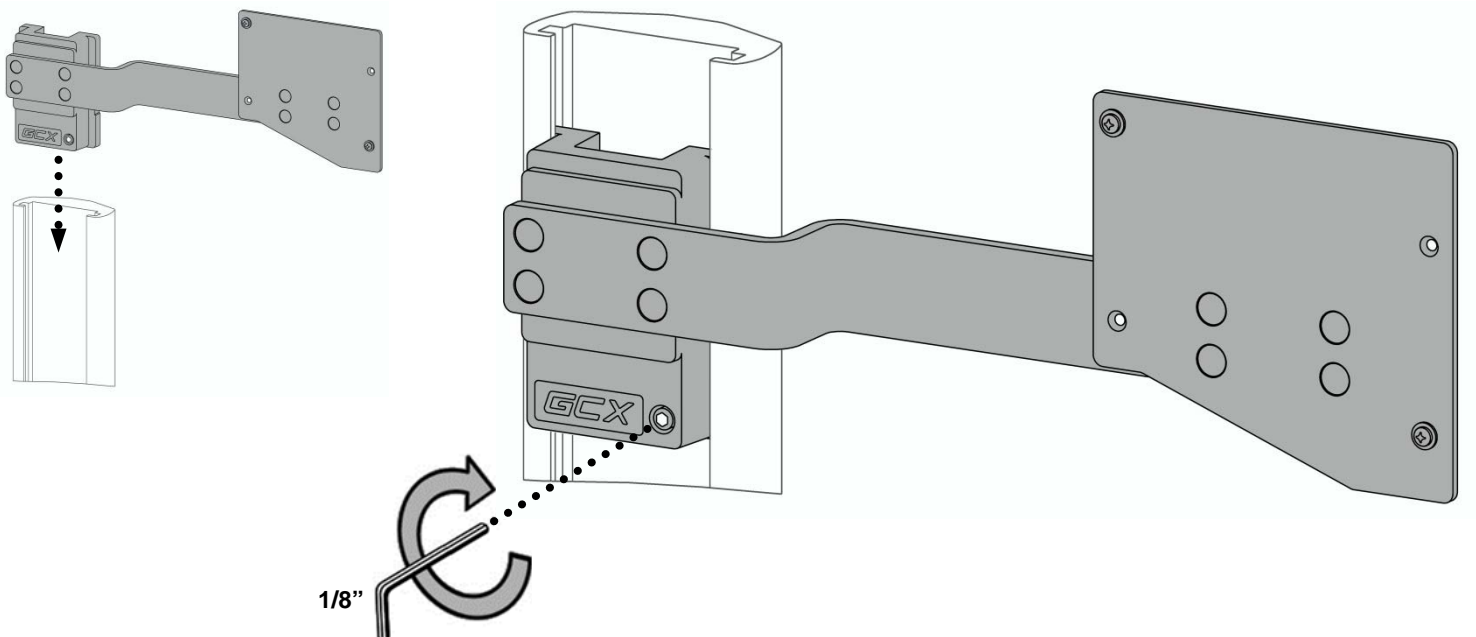
Item #	Description	Qty
1	Channel Mount Bracket Assembly	1
2	8-32 x 5/16" Pan Head Machine Screw (PHMS)	2
3	1/8" Hex Key	1



Tools required

- 1/8" Hex Key (provided)
- No. 2 Phillips Screwdriver (not provided)

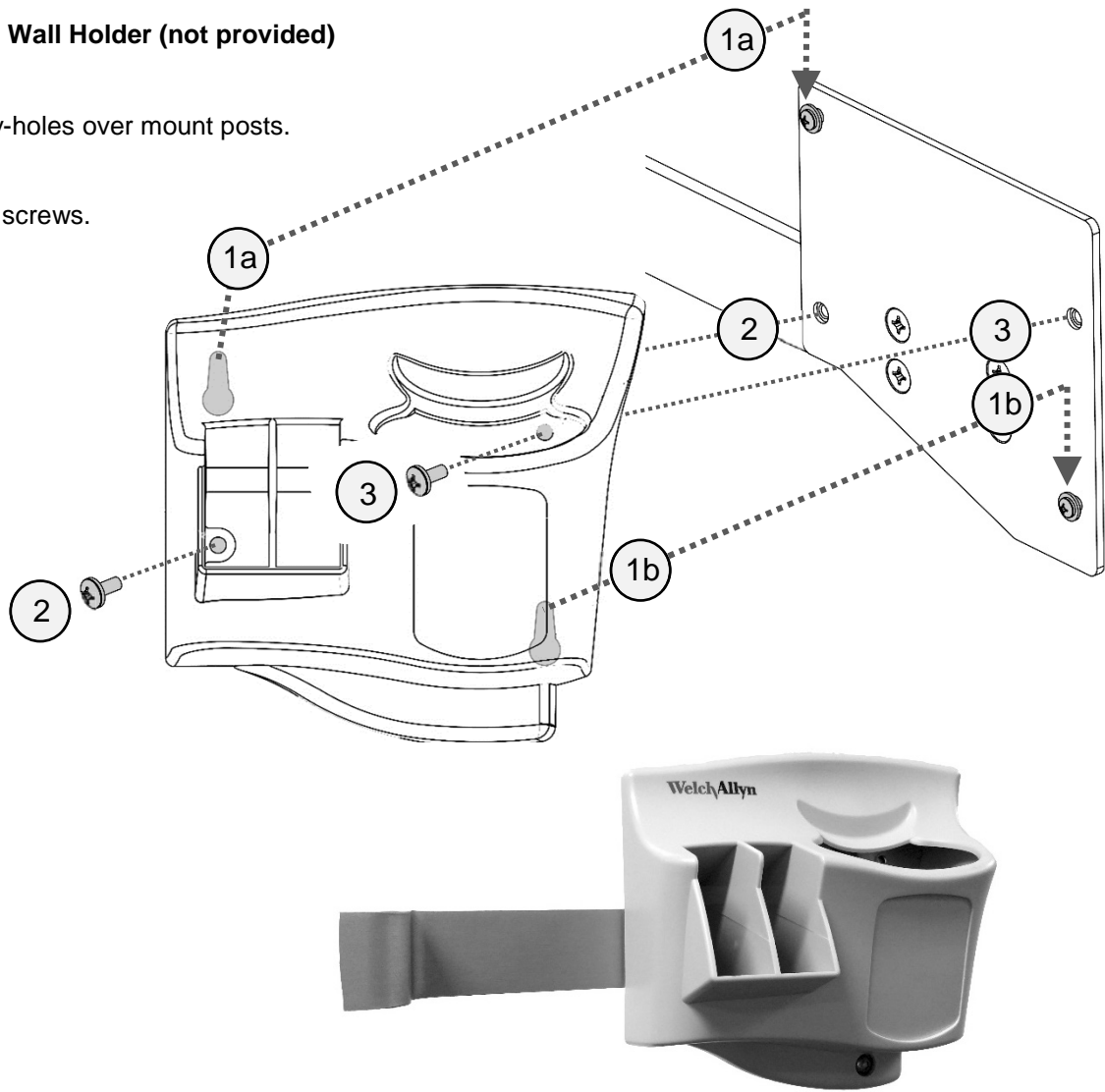
Attach Mount to Channel



Mount WelchAllyn Wall Holder (not provided)

1a 1b Fit key-holes over mount posts.

2 3 Install screws.



Routine Maintenance

Periodically inspect all fasteners associated with the mounting system. Tighten or adjust fasteners as necessary for optimal operation and safety.

Cleaning the Mounting Assembly

1. The GCX mounting assembly may be cleaned with most mild, non-abrasive solutions commonly used in the hospital environment (e.g. diluted bleach, ammonia, or alcohol solutions).
2. The surface finish will be permanently damaged by strong chemicals and solvents such as acetone or trichloroethylene.
3. Do not use Steel wool or other abrasive material.
4. Damage caused by the use of unapproved substances or processes will not be warranted. It is recommended that you test any cleaning solution on a small area of the mounting assembly that is not visible to verify compatibility.
5. Never submerge or allow liquids to enter the mounting assembly. Wipe any cleaning agents off of the mounting assembly immediately, using water dampened cloth. Dry the assembly thoroughly after cleaning.

CAUTION: GCX makes no claims regarding the efficacy of the listed chemicals or processes as a means for controlling infection. Consult your hospital's infection control officer or epidemiologist. To clean or sterilize mounted devices or accessory equipment, refer to the specific instructions delivered with those products before installing the arm in the Channel.