

Operating Manual for VB Series Wall Mounts with a Diagonal Brace



WARNING: Do not position support arm or device over a patient.

INSTALLATION

Attach the diagonal brace to the support arm using two (2) #10-32 x 7/8" pan head machine screws (PHMS) through the tapered end of the brace into the threaded inserts on the underside of the arm. Lead the blunt end of the brace into the center section of the wall channel. Turn in the screws equally so that the top surface of the brace remains parallel to the support arm. Seat the screws firmly. The blunt end is not attached to the wall channel. Install the adjustable stop in the wall channel below the blunt end of the brace. **DO NOT ATTEMPT TO ATTACH OR MOVE THE BRACE WITH AN INSTRUMENT LOADED ON THE ARM.**

ADJUSTMENTS

- ELEVATION:**
1. Remove the monitor from the mount.
 2. Never attempt to adjust the height of the Arm while the Diagonal Brace is attached. Accordingly, never attempt to install the Diagonal Brace after the mount has been loaded.
 3. Loosen the 1/4-20 X 9/16" PHMS in the Adjustable Stop.
 4. Remove the Diagonal Brace from the Support Arm.
 5. To raise or lower the Support Arm within the Wall Channel, relieve the weight of the monitor by lifting against the underside of the Arm, just behind the Tilt Knob, and simultaneously push up or pull down the opposite end of the Arm just in front of the Slide.
 6. The ability to raise and lower the Support Arm can be made easier by filing the shear tabs on the Slide prior to inserting the Arm into the Wall Channel. However, excessive removal of material from the Slide can result in the Arm inadvertently moving down the Channel.
 7. Re-install the Diagonal Brace and reset the Adjustable Stop.
 8. Replace the monitor onto Mounting Assembly.

TILT: To adjust the angle of the Mounting Plate, simply rotate the Tilt Knob.

SWIVEL: To rotate the monitor simply push or pull one or two corners of the monitor. The size and weight of the monitor will dictate the amount of force required to swivel. The actual swiveling of the mount is much easier once the monitor has been installed.

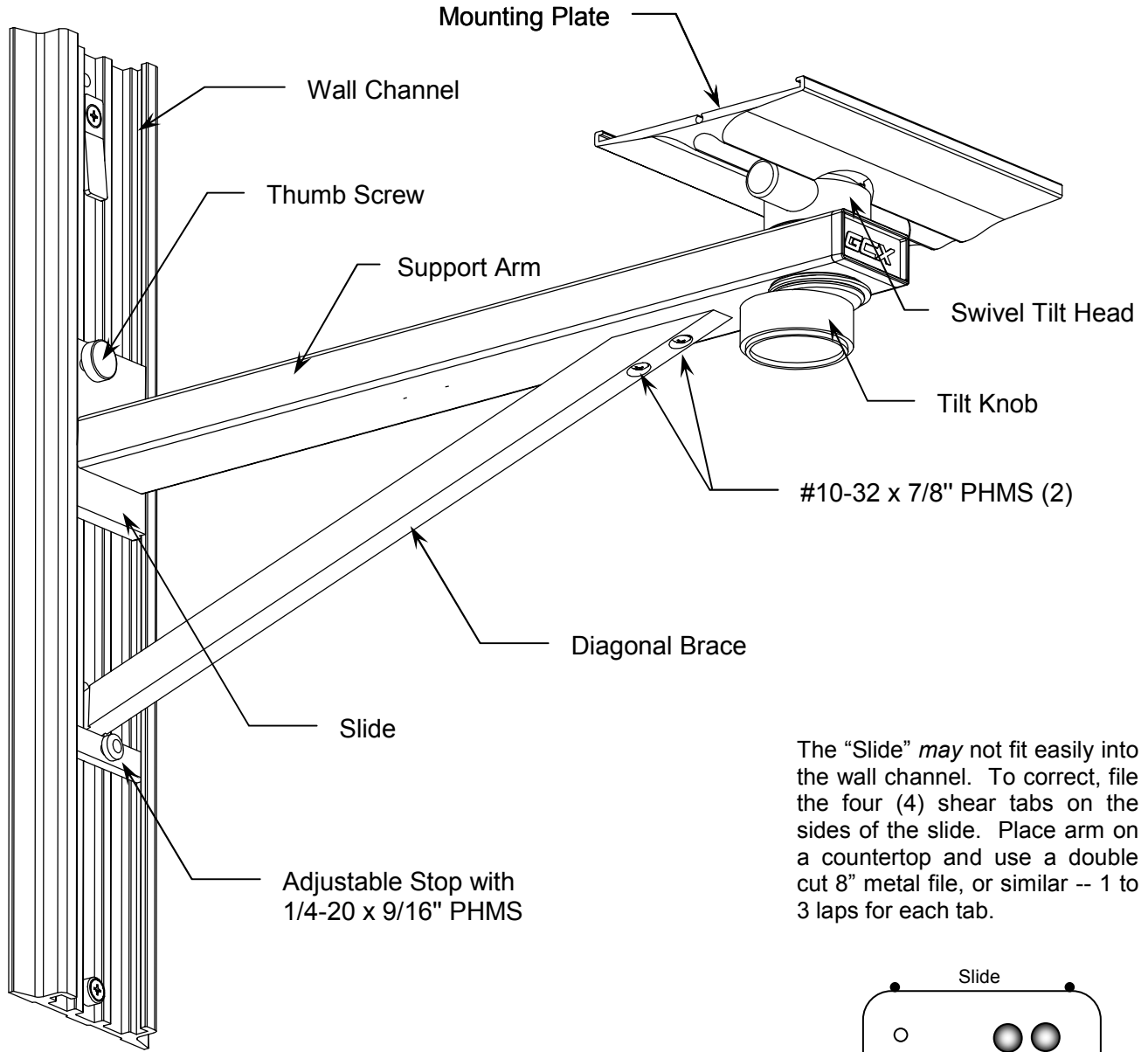
MAINTENANCE

It is recommended that all the fasteners associated with the mounting system be periodically checked and tightened.

CLEANING

The mounting product can be cleaned with any non-abrasive solution as approved by the facility in which the product will be used.

Operating Manual for VB Series Wall Mounts with a Diagonal Brace



The "Slide" *may* not fit easily into the wall channel. To correct, file the four (4) shear tabs on the sides of the slide. Place arm on a countertop and use a double cut 8" metal file, or similar -- 1 to 3 laps for each tab.

