

Installation Guide

Channel Mounting Kit for Philips Flexible Module Server (FMS), X3/MX100/X2/MP2 Docking Station, MP2 Power Supply, MP90 External Alert Device, Hotspot, Tympanic Thermometer Base Station, and IntelliBridge EC80.

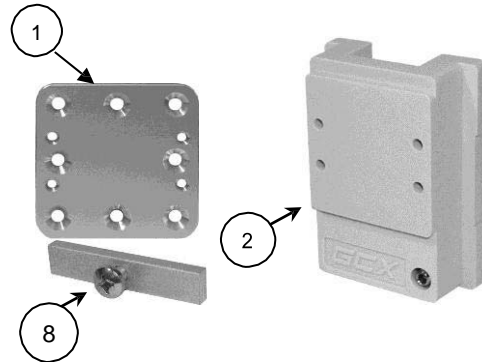
The purpose of this guide is to:

1. Describe mounting of FMS, Docking Station, Power Supply, External Alert Device, Hotspot, Thermometer, or IntelliBridge in channel.

Parts Reference

The following parts and hardware are included in this installation kit:

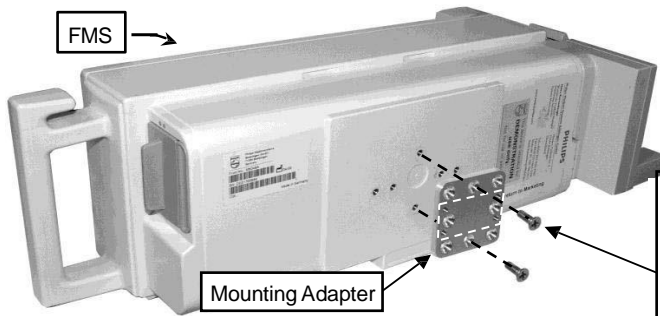
Item #	Description	Qty
1	Mounting Adapter	1
2	Channel Slide, Molded Offset	1
3	M3.5 x 8mm Flat Head Machine Screw (FHMS)	4
4	M4 x 12mm FHMS	2
5	M4 x 16mm FHMS	2
6	M4 x 10mm FHMS	4
7	8-32 x 9/16" Pan Head Machine Screw (PHMS)	4
8	Adjustable Stop	1
9	1/8" Hex Wrench	1



Tools required

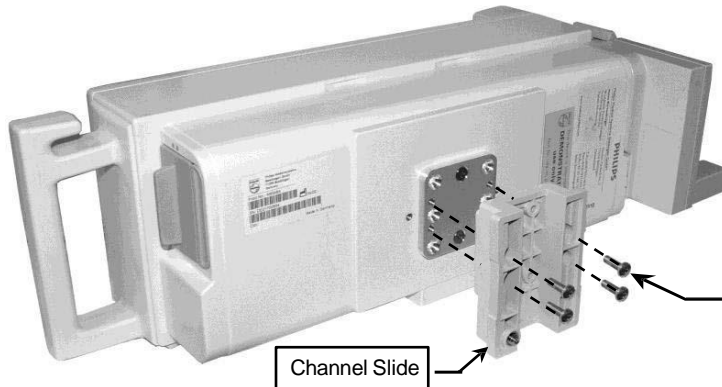
- 1/8" hex wrench (provided)
- Phillips Screwdriver (not provided)

Mounting the FMS in a Channel

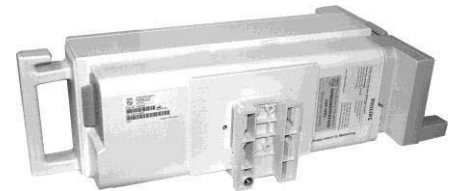


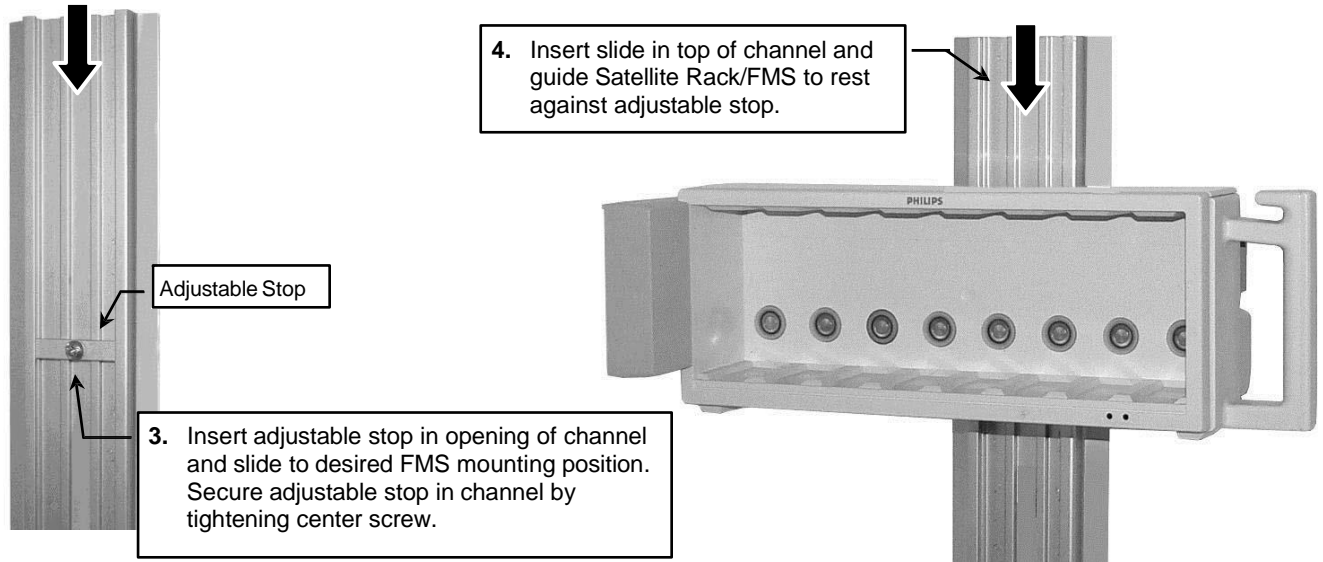
1. Fasten mounting adapter to coordinating mounting holes on rear of FMS with two (2) M4 x 12 mm FHMS as shown.

Installation Note: Four (4) threaded holes in mounting adapter must be oriented as shown for attachment of channel slide (step 2).

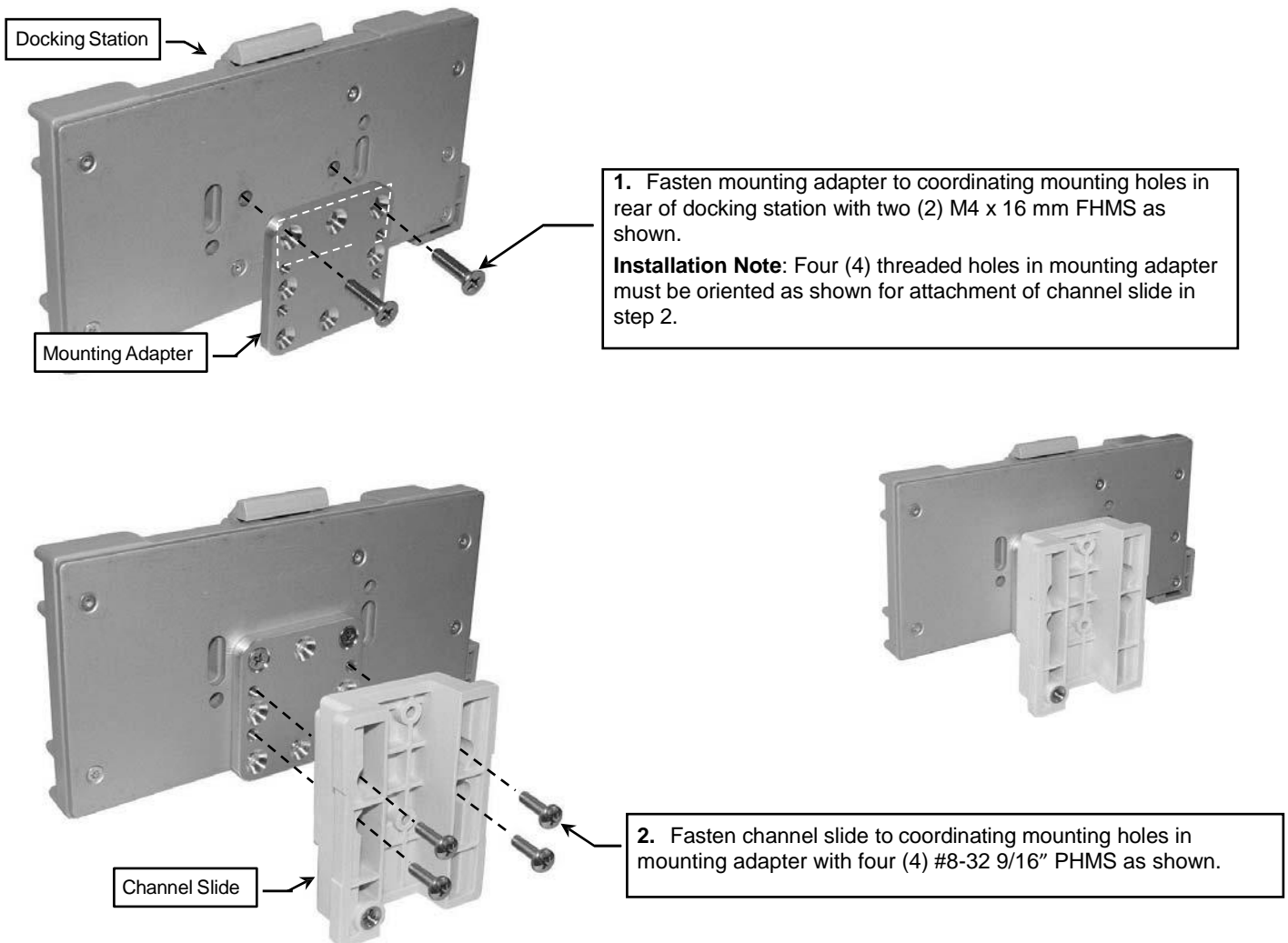


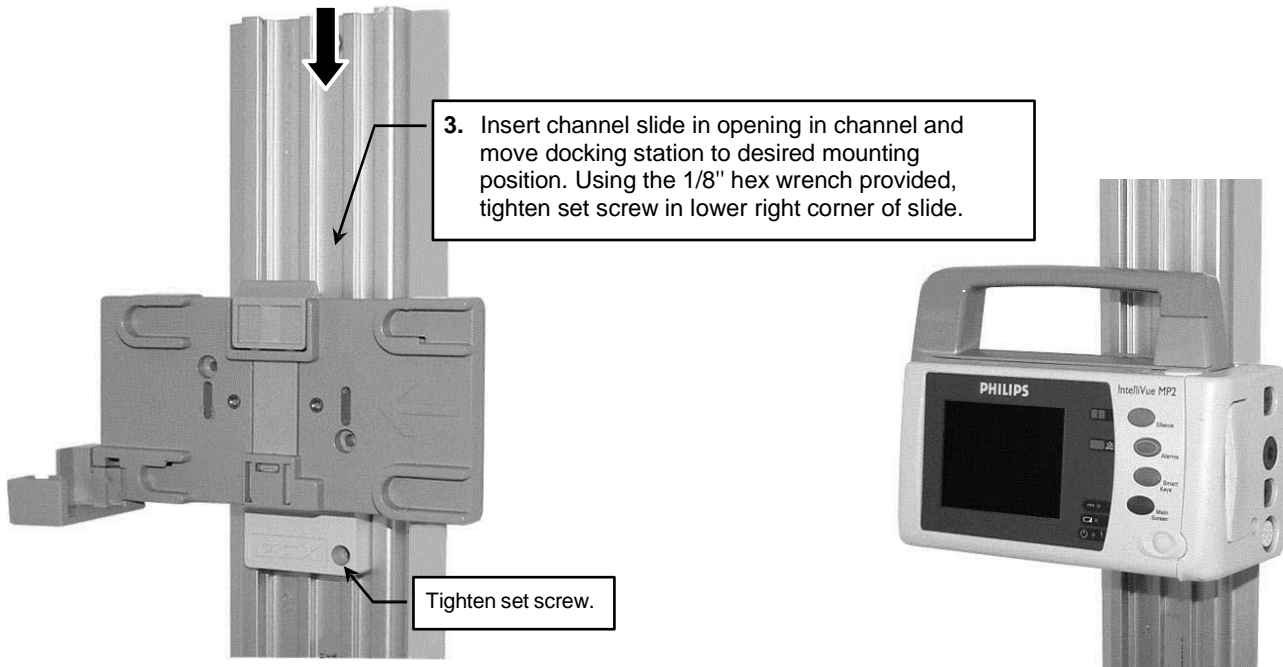
2. Fasten channel slide to coordinating mounting holes in mounting adapter with four (4) #8-32 x 9/16" PHMS as shown.





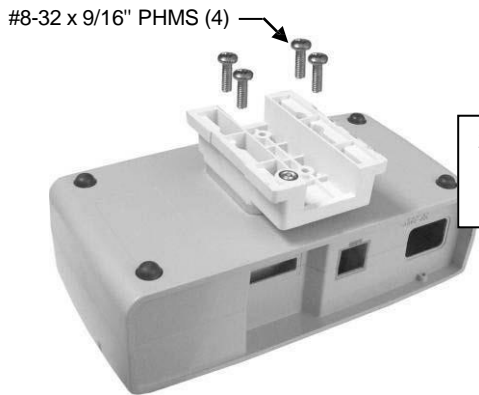
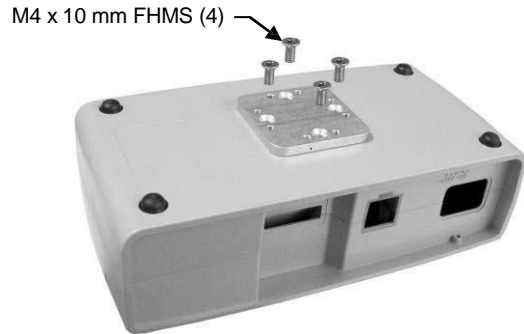
Mounting the X3/MX100/X2/MP2 Docking Station in a Channel





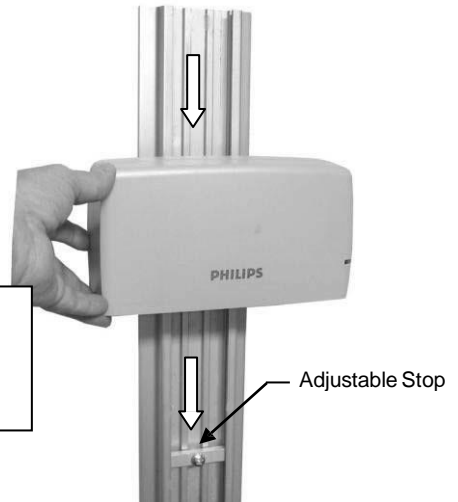
Mounting the MP2 Power Supply in Channel

1. Fasten mounting adapter to power supply with four (4) M4 x 10 mm FHMS as shown at right.



2. Fasten channel slide to mounting adapter with four (4) #8-32 x 9/16" PHMS as shown.

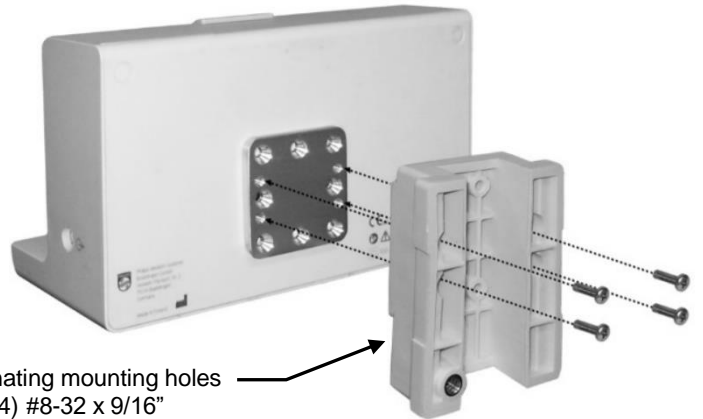
3. Insert adjustable stop in channel and move to desired power supply mounting position. Tighten center screw in adjustable stop.
4. Insert power supply channel slide in channel and guide power supply to rest against adjustable stop.



Mounting the Intellivue Dock (supplied by Philips) in a channel



1. Fasten mounting adapter to coordinating mounting holes on rear of Intellivue Dock with two (2) M4 x 12 mm FHMS as shown.

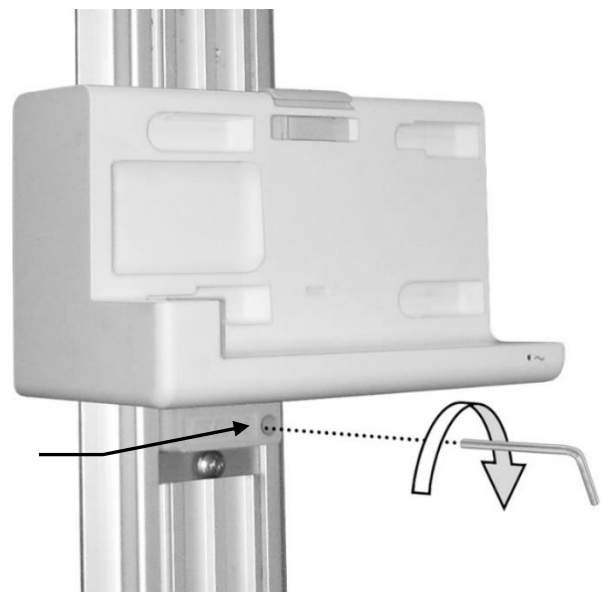


2. Fasten channel slide to coordinating mounting holes in mounting adapter with four (4) #8-32 x 9/16" PHMS as shown.

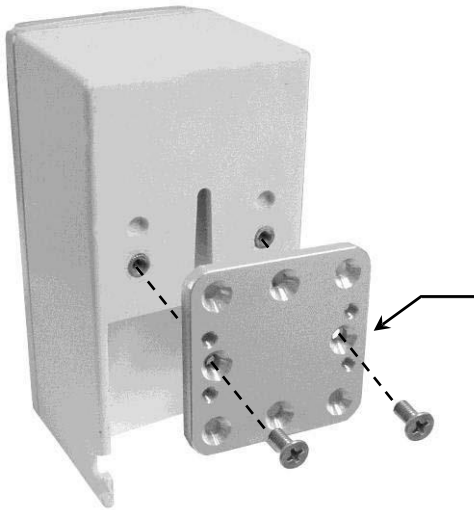


3. Insert adjustable stop in opening of channel and slide to desired mounting position. Secure adjustable stop in channel by tightening center screw.

4. Insert channel slide in channel and guide Intellivue Dock to rest against adjustable stop. Using the 1/8" hex wrench provided, tighten set screw in lower right corner of slide.

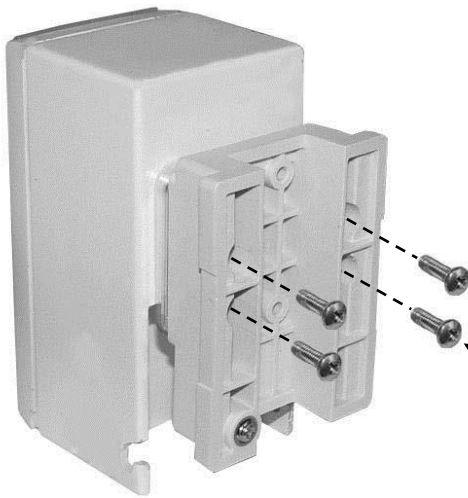


Mounting the MP90 External Alert Device in a Channel

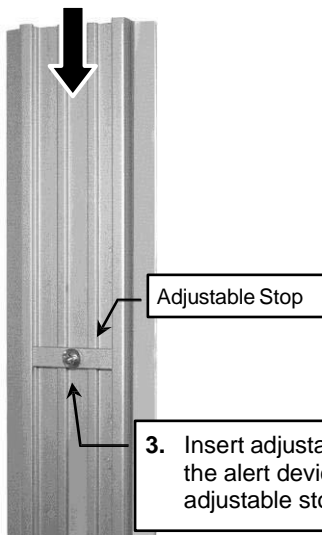


1. Fasten mounting adapter to rear of alert device with two (2) M4 x 10 mm FHMS as shown.

Installation Note: Four (4) threaded holes in mounting adapter must be oriented as shown for attachment of channel slide in step 2.



2. Fasten channel slide to coordinating mounting holes in mounting adapter with four (4) #8-32 x 9/16" PHMS as shown.

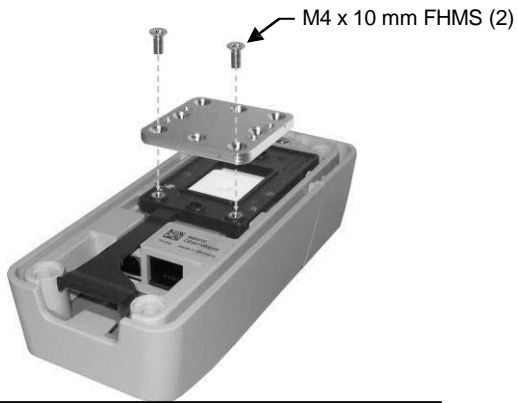


3. Insert adjustable stop in opening of channel and slide the alert device to desired mounting position. Secure adjustable stop in channel by tightening center screw.

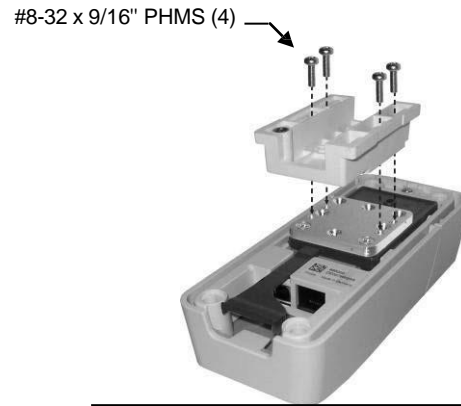
4. Insert slide in top of channel and guide device to rest against adjustable stop.



Mounting Hotspot in a Channel

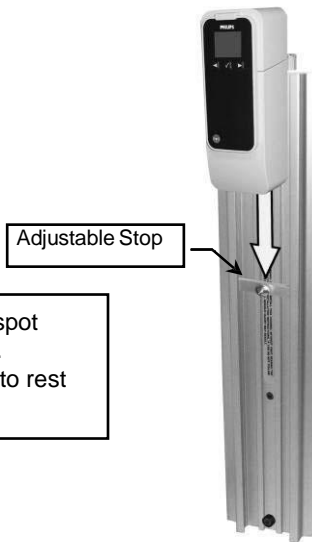


1. Fasten mounting adapter to Hotspot with two (2) M4 x 10 mm FHMS. Use the lower mounting holes as shown.

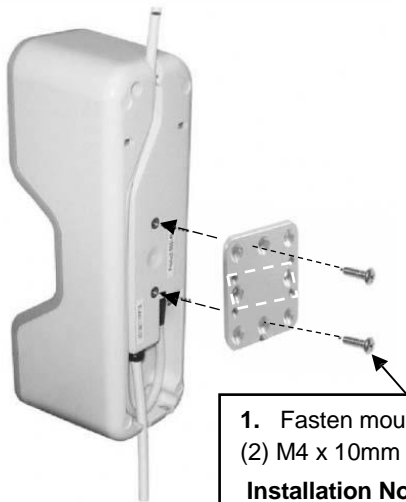


2. Fasten channel slide to mounting adapter with four (4) #8-32 x 9/16" PHMS as shown.

3. Insert adjustable stop in channel and move to desired Hotspot mounting position. Tighten center screw in adjustable stop.
4. Insert Hotspot channel slide in channel and guide Hotspot to rest against adjustable stop.



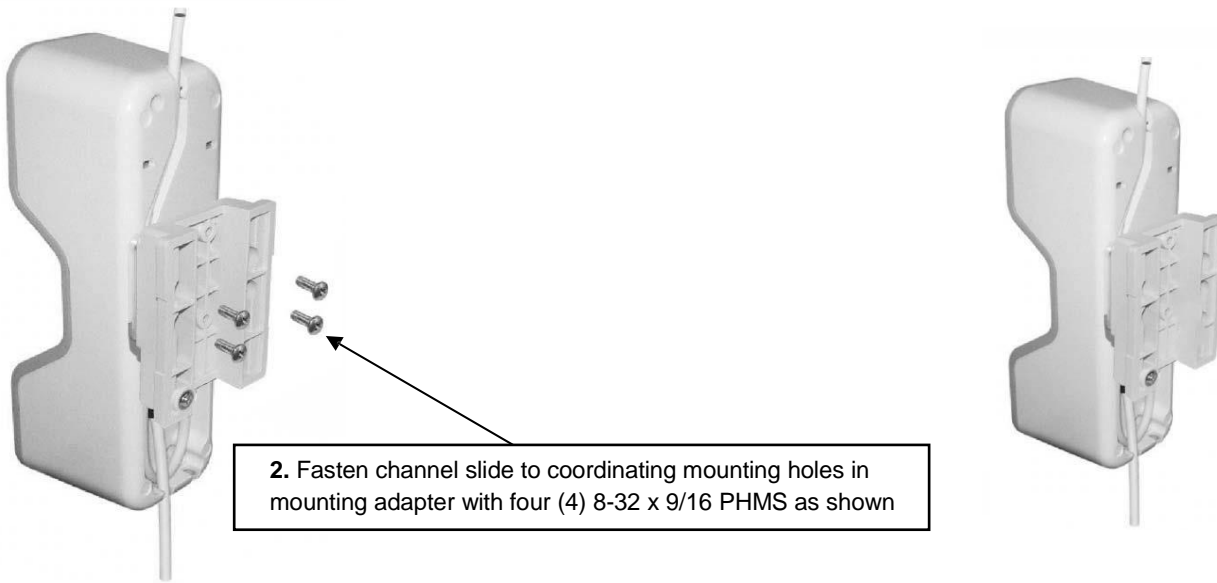
Mounting Tympanic Thermometer Base Station in Channel



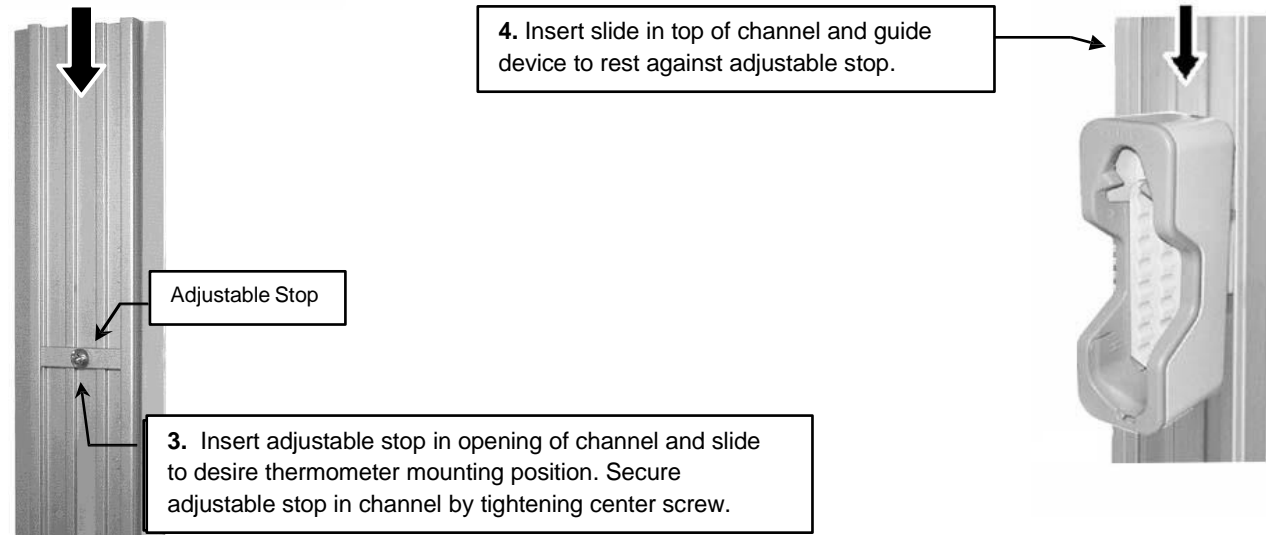
1. Fasten mounting adapter to rear of thermometer with two (2) M4 x 10mm FHMS as shown.

Installation Note: Four (4) threaded holes in mounting adapter must be oriented as shown for attachment of channel slide in step 2.





2. Fasten channel slide to coordinating mounting holes in mounting adapter with four (4) 8-32 x 9/16 PHMS as shown

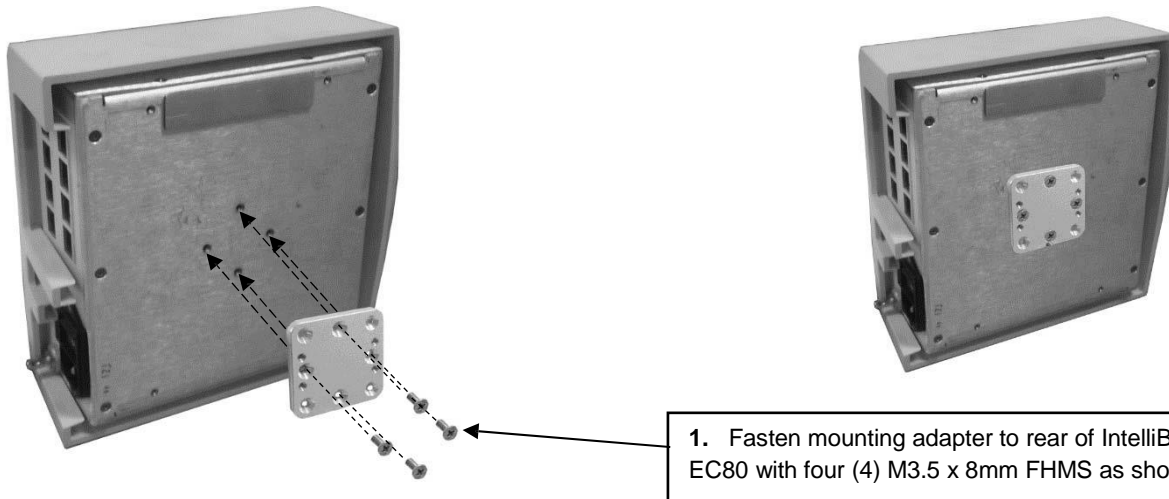


4. Insert slide in top of channel and guide device to rest against adjustable stop.

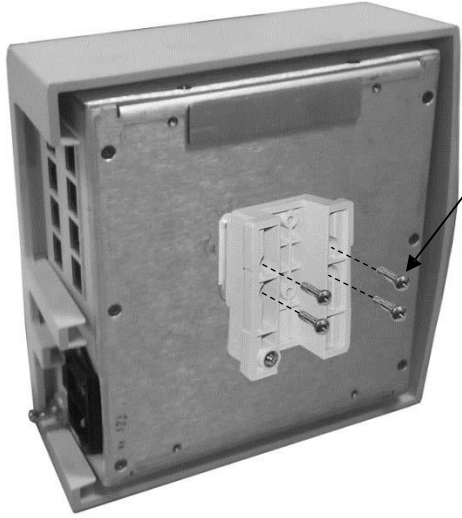
Adjustable Stop

3. Insert adjustable stop in opening of channel and slide to desire thermometer mounting position. Secure adjustable stop in channel by tightening center screw.

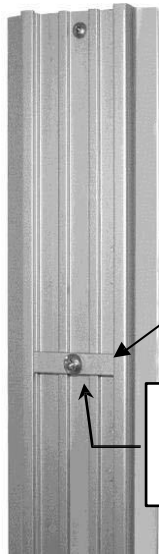
Mounting IntelliBridge EC80 in Channel



1. Fasten mounting adapter to rear of IntelliBridge EC80 with four (4) M3.5 x 8mm FHMS as shown.



2. Fasten channel slide to coordinating mounting holes in mounting adapter with four (4) 8-32 x 9/16 PHMS as shown.



Adjustable Stop

3. Insert adjustable stop in opening of channel and slide to desire IntelliBridge EC80 mounting position. Secure adjustable stop in channel by tightening center screw.

4. Insert slide in top of channel and guide device to rest against adjustable stop.





Routine Maintenance

Periodically inspect all fasteners associated with the mounting system. Tighten or adjust fasteners as necessary for optimal operation and safety.

Cleaning the Mounting Assembly

1. The mounting assembly may be periodically cleaned with most mild, non-abrasive solutions commonly used in the hospital environment (e.g. diluted bleach, ammonia, or alcohol solutions).
2. The surface finish will be permanently damaged by strong chemicals and solvents such as acetone or trichloroethylene.
3. Do not use Steel wool or other abrasive material.
4. Damage caused by the use of unapproved substances or processes will not be warranted. It is recommended that you test any cleaning solution on a small area of the mounting assembly that is not visible to verify compatibility.
5. Never submerge or allow liquids to enter the mounting assembly. Wipe any cleaning agents off of the mounting assembly immediately, using water dampened cloth. Dry the assembly thoroughly after cleaning.

CAUTION: GCX makes no claims regarding the efficacy of the listed chemicals or processes as a means for controlling infection. Consult your hospital's infection control officer or epidemiologist. To clean or sterilize mounted devices or accessory equipment, refer to the specific instructions delivered with those products before installing the arm in the Channel.