

Installation Guide

VHM-Series Universal Wall Mount Kit for Spacelabs 91220 mCARE 300, 91370 SL2600, 91369 SL2400, and 90369 UV1050

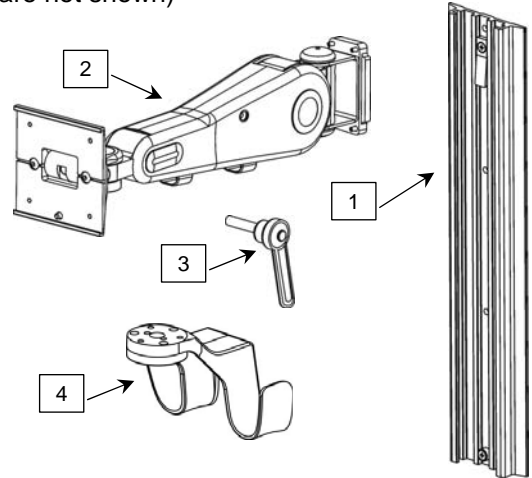
The purpose of this guide is to:

1. Describe mounting of VHM Arm (page 2).
2. Describe attachment of Utility Hook to Arm (page 2).
3. Describe mounting of monitor and power supply (page 3).

Parts Reference

The following parts and hardware are included in this installation kit (hardware not shown)

Item #	Description	Qty
1	Wall Channel, 19" Seismic (includes instructions)	1
2	VHM Arm with Slide-on Mounting Plate (includes instructions)	1
3	Lever, Height Locking	1
4	Utility Hook	1
5	#10-32 x 3/4" Socket Head Cap Screw (SHCS)	3
6	1/8" Hex Wrench	1
7	5/32" Hex Wrench	1
8	1/2" Socket Wrench	1
9	Wall Channel Cover, 16" (includes instructions)	1



Tools Required

1/8" and 5/32" hex wrenches (provided); Phillips screwdriver (not provided); 1/2" socket wrench (provided).

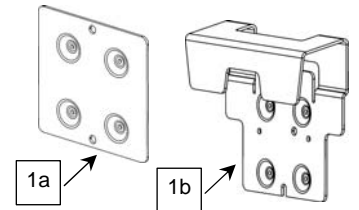
Additional Parts Required for Mounting Monitor on Wall Mount (must be ordered separately)

The following additional parts are necessary to mount the monitor but are not included in this installation kit:

91220 mCARE 300

Item #	GCX P/N	SL P/N	Description	Qty
1a	SL-0064-16B	016-0758-00	Mounting Adapter Plate, 91220	1
1b	SL-0064-81	016-0755-00	Bedrail Hook, Quick Release	1

Note: To mount monitor to wall mount requires Item 1a or 1b. Either will work.

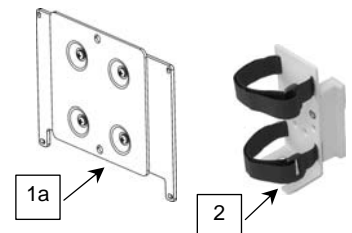


91370 SL2600, 91369 SL2400, and 90369 UV1050

Item #	GCX P/N	SL P/N	Description	Qty
1a	SL-0019-16B	016-0759-00	Mounting Adapter Plate, 91370, 91369, 90369	1
1b	N/A	016-0369-00	Bedrail Hook, Quick Release, 91370, 91369, 90369 (non-H/non-M capno option), not shown	1
1c	N/A	016-0369-01	Bedrail Hook, Quick Release, 90369 (-H/-M capno option), not shown	1
2	WM-0024-03B	016-0732-00	Universal Power Supply Holster, Wall Mount	1

Note: To mount monitor to wall mount requires Item 1a, 1b, or 1c.

Note: To mount external power supply requires item 2.



Install Wall Channel

Install Wall Channel in accordance with *GCX Wall Channel Installation Instructions (DU-WC-0002-05)* included with the installation kit.

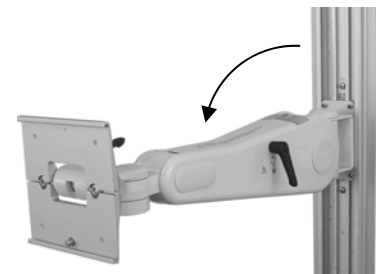
Mount VHM Arm in Channel

1. Mount VHM Arm in accordance with *Installation & Operation Manual for VHM™ Series Arms (DU-WS-0001)* included with the Arm. This installation guide covers procedures and adjustments that are critical for optimum performance of the the VHM Arm.

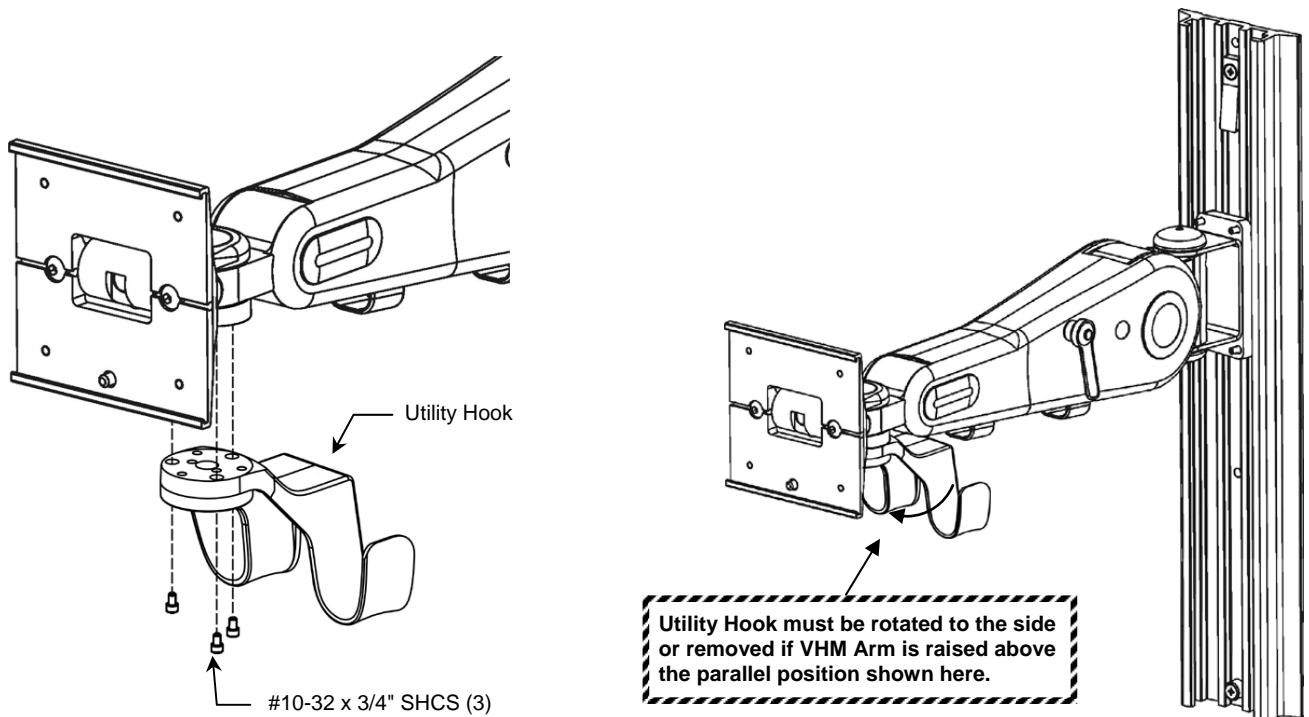


Attach Utility Hook to VHM Arm

1. Adjust Arm to parallel-to-floor position (right) and lock Arm in position.
2. Align three (3) mounting holes in the Utility Hook with corresponding threaded holes in Lower Swivel Fitting on bottom of Arm. Using the 5/32" [4 mm] hex wrench provided, fasten Hook to Swivel Fitting with three (3) 10-32 x 3/4" SHCS as shown below left.



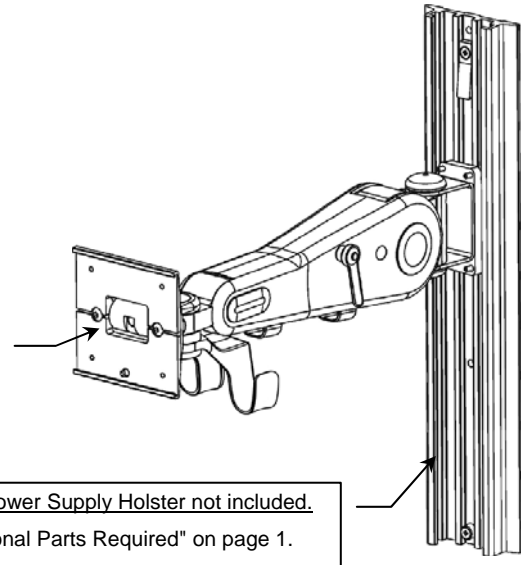
CAUTION: The Utility Hook must be rotated to the side, or removed, if the VHM Arm is raised above the parallel position shown below right.



Mount the Monitor (not shown)

1. The Mounting Adapter for the monitor is not included in this installation kit. Mount the monitor in accordance with the installation guide included with the Mounting Adapter.
2. Perform counterbalance adjustment on VHM Arm in accordance with *Installation & Operation Manual for VHM™ Series Arms (DU-WS-0001)*, section 3.0, page 5.

Mounting Adapter Required for Mounting Monitor on Arm.
See "Additional Parts Required" on page 1.



Universal Power Supply Holster not included.
See "Additional Parts Required" on page 1.

Mounting the Power Supply

The Universal Power Supply Holster is not provided with this installation kit. Mount the power supply in accordance with the installation guide included with the Universal Power Supply Holster.

Installing the Wall Channel Cover

Install the Wall Channel Cover in accordance with the *Channel Cover Installation Guide (DU-UT-0001-20)*.

Periodic Maintenance

All fasteners associated with the mounting system should be inspected periodically and tightened as necessary.

Cleaning the Mounting Assembly

1. The mounting assembly may be cleaned with most mild, non-abrasive solutions commonly used in the hospital environment (e.g. diluted bleach, ammonia, or alcohol solutions).
2. The surface finish will be permanently damaged by strong chemicals and solvents such as acetone or trichloroethylene.
3. Steel wool or other abrasive material should never be used.
4. Damage caused by the use of unapproved substances or processes will not be warranted. It is recommended that you test any cleaning solution on a small area of the arm that is not visible to verify compatibility.
5. Never submerge or allow liquids to enter the arm. Wipe any cleaning agents off the arm immediately, using a water-dampened cloth. Dry the arm thoroughly after cleaning.

CAUTION: GCX makes no claims regarding the efficacy of the listed chemicals or processes as a means for controlling infection. Consult your hospital's infection control officer or epidemiologist. To clean or sterilize mounted devices or accessory equipment, refer to the specific instructions delivered with those products.