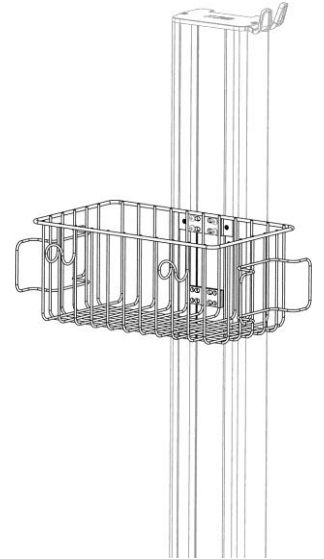


Installation Guide Utility Basket for VHRC (Rear Channel)

The purpose of this guide is to describe attachment of Utility Basket to VHRC rear Channel.



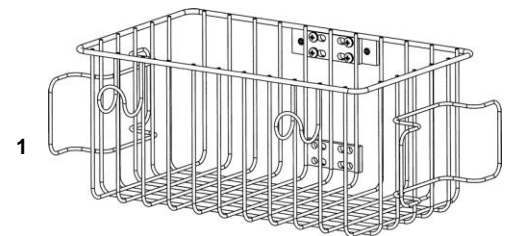
Parts Reference

The following parts and hardware are included in this installation kit (hardware not shown).

Item #	Description	Qty
1	Utility Basket	1
2	1/8" Hex Wrench	1

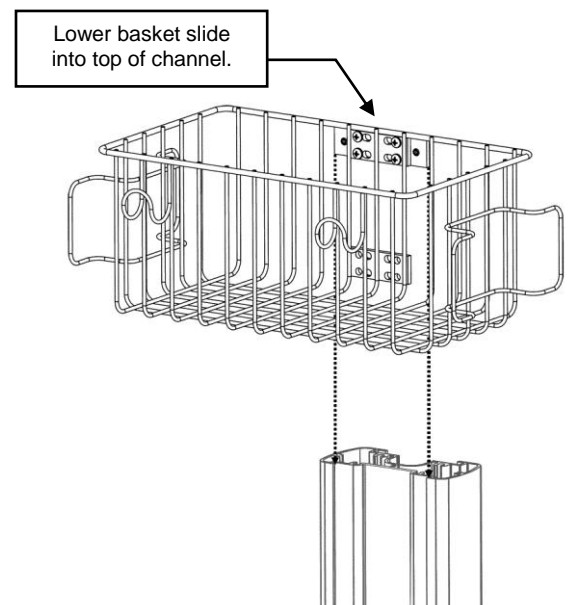
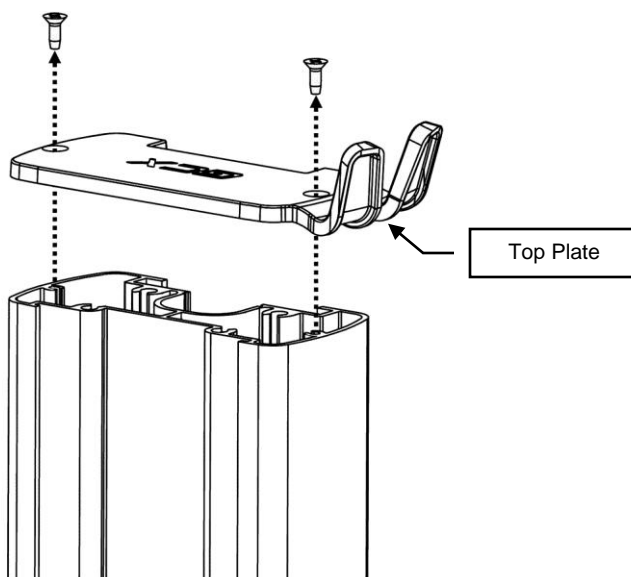
Tools Required

- Phillips screwdriver (not provided)
- 1/8" Hex Wrench (provided)

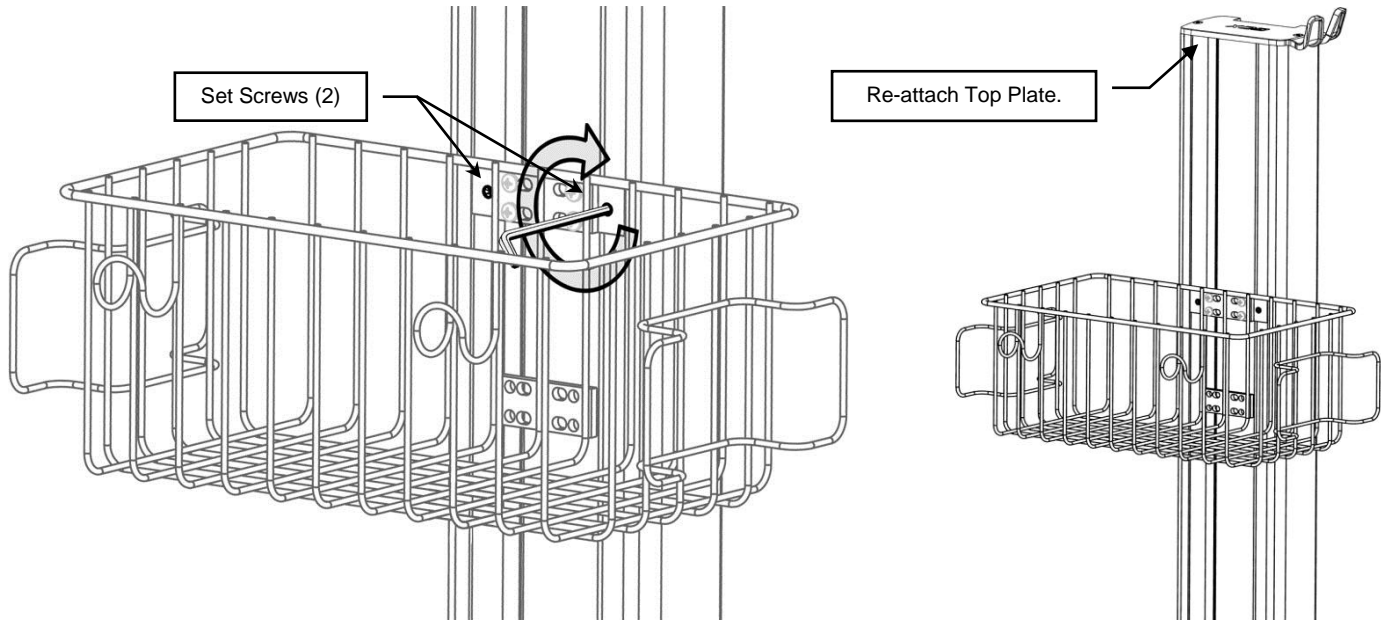


Attaching Chart Bin to VHRC

1. Using a Phillips screwdriver, remove the (2) screws securing the Top Plate from VHRC (below left).
2. Insert the basket slide (attached to the rear of the basket) in the top of the rear channel and move downward to desired mounting position (below right).



3. Using a 1/8 hex wrench, tighten (2) set screws to secure position (below left).
4. Using a Phillips screwdriver, re-attach the top plate that was removed in Step 1.



Routine Maintenance

Periodically inspect all fasteners associated with the mounting system. Tighten as necessary for optimal operation and safety.

Cleaning the Mounting Assembly

1. The mounting assembly may be cleaned with most mild, non-abrasive solutions commonly used in the hospital environment (e.g. diluted bleach, ammonia, or alcohol solutions).
2. The surface finish will be permanently damaged by strong chemicals and solvents such as acetone and trichloroethylene.
3. Do not use steel wool or other abrasive material to clean the mounting assembly.
4. Damage caused by the use of unapproved substances or processes will not be covered by warranty. We recommend that you test any cleaning solution on a small area of the mounting assembly that is not visible to verify compatibility.
5. Never submerge or allow liquids to enter the mounting assemblies. Wipe any cleaning agents off the mounting assembly immediately using a water-dampened cloth. Dry all mounting assemblies thoroughly after cleaning.

CAUTION: GCX makes no claims regarding the efficacy of the listed chemicals or processes as a means for controlling infection. Consult your hospital's infection control officer or epidemiologist. To clean or sterilize mounted instruments or accessory equipment, refer to the specific instructions delivered with those products.