

Installation Guide

Universal Power Strip Mount

For use in GCX Channel or 2" / 5.1cm Diameter Post

The purpose of this guide is to describe installation of the mount in a GCX Channel or attaching to a 2" diameter post.

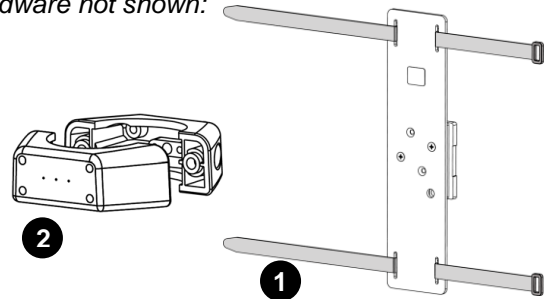
Parts Reference

The following parts and hardware are included in this installation kit (hardware not shown):

Items #	Description	Qty
1	Power Strip Mount with Velcro Straps	1
2	Clamping Block	1pr
3	10-32 x 9/16 Pan Head Machine Screw (PHMS)	2
4	1/8 Hex Wrench	1

Tools Required

- 1/8" Hex Wrench (supplied)
- Phillips Screwdriver (not supplied)



Warning: Ensure that the weight of the Power Strip does not exceed the 5 lbs. (2.3 kg) weight limit of this mount.

Installing Power Strip Mount in to GCX Channel

1. Guide the Channel Slide (rear of Mount) into top of GCX Channel and lower to desired height (Fig. 1).
2. Using a 1/8" Hex Wrench (supplied), tighten Set Screw to secure mounting position (Fig. 2).

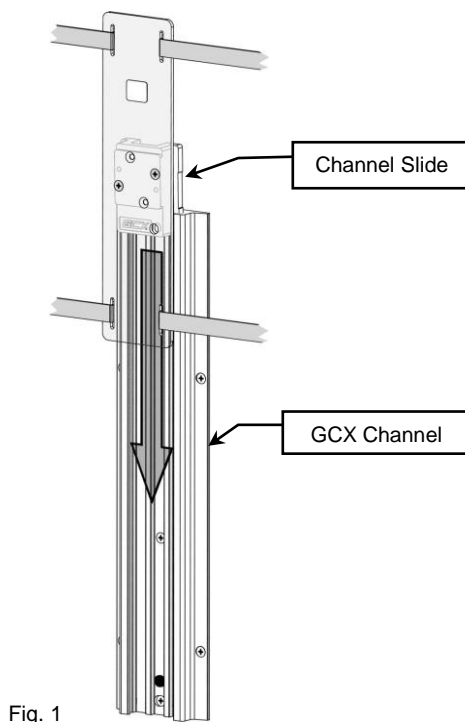


Fig. 1

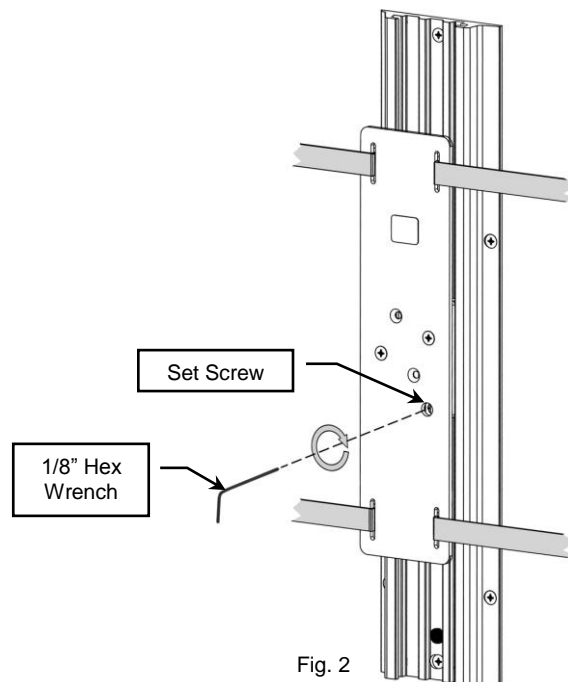


Fig. 2

Installing Universal Power Strip Mount on to a 2" Post

1. Using a Phillips screwdriver, remove the (2) mounting screws and Channel Slide from Power Strip Mount as shown (Fig. 3).
2. Attach the Clamping Block with threaded mounting holes to Power Strip Mount with the (2) mounting screws removed in previous step (Fig. 4).

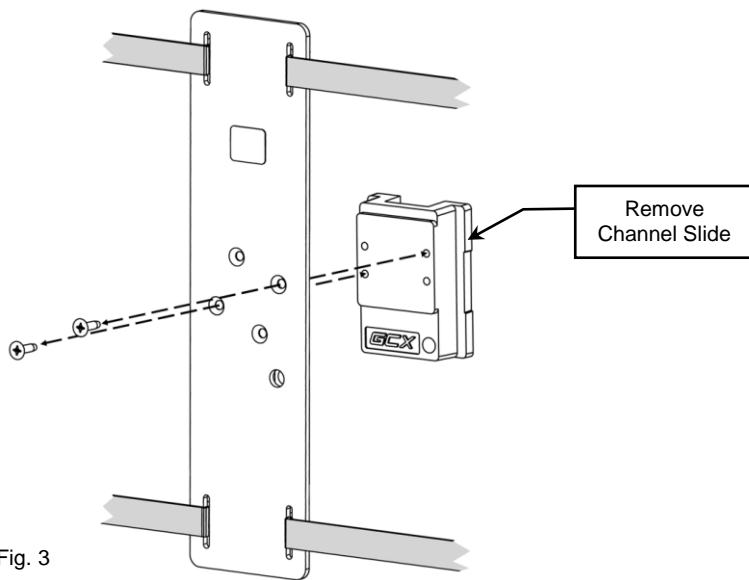


Fig. 3

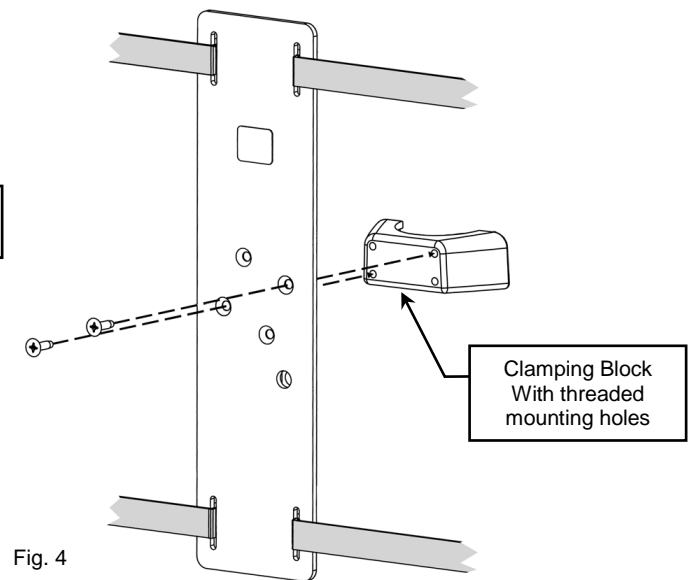


Fig. 4

3. Secure Clamping Block with mounting through holes to Power Strip Mount with (2) 10-32 x 9/16" PHMS. Alternately tighten screws until mount does not rotate on post (Fig. 5).

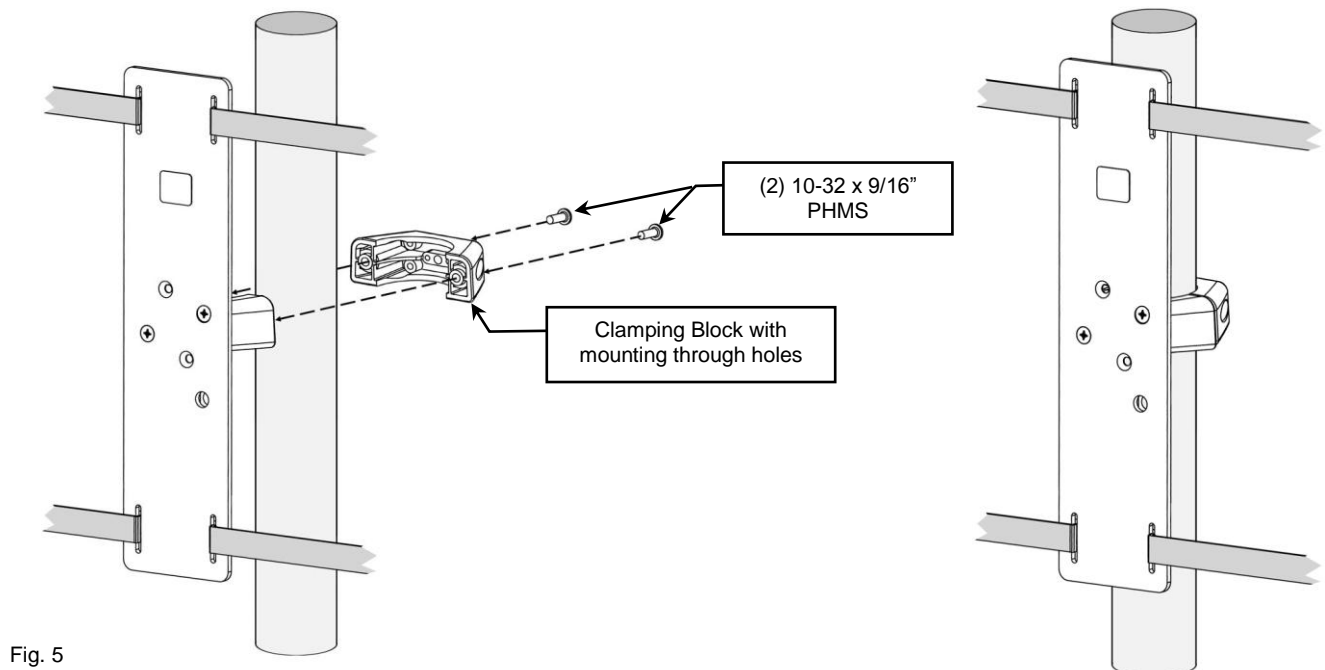
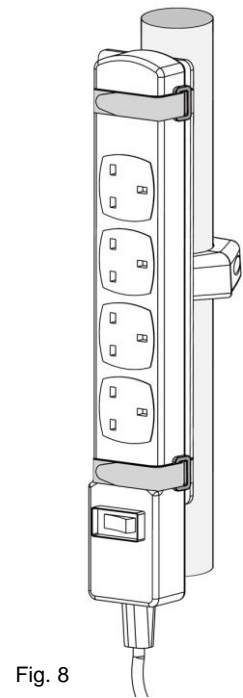
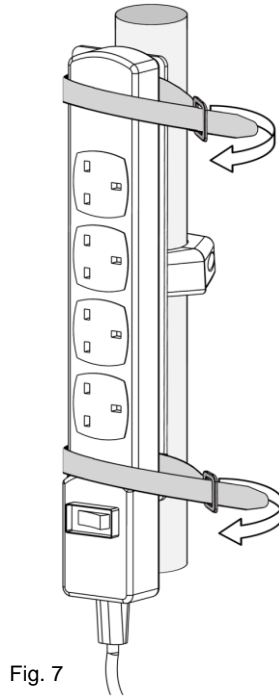
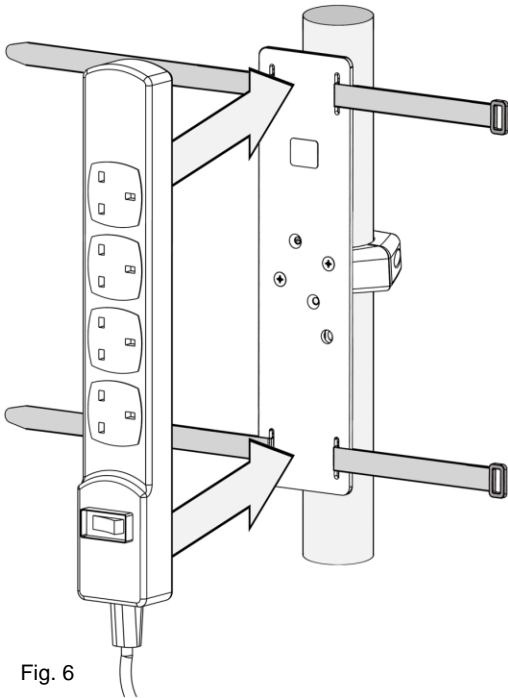


Fig. 5

Attaching Power Strip to Mount

1. Place Power Strip in Mount as shown (Fig. 6).
2. Insert ends of Velcro® straps through rings (Fig.7), pull straps tight, and press firmly (Fig.8).



Routine Maintenance

Periodically check all mounting hardware. Tighten as necessary for optimal operation and safety.

Cleaning the Mounting Assembly

1. The mounting assembly may be cleaned with most mild, non-abrasive solutions commonly used in the hospital environment (e.g. diluted bleach, ammonia, or alcohol solutions).
2. The surface finish will be permanently damaged by strong chemicals and solvents such as acetone and trichloroethylene.
3. Do not use steel wool or other abrasive material to clean the mounting assembly.
4. Damage caused by the use of unapproved substances or processes will not be covered by warranty. We recommend testing any cleaning solution on a small area of the mounting assembly that is not visible to verify compatibility.
5. Never submerge or allow liquids to enter the mounting assemblies. Wipe any cleaning agents off the mounting assembly immediately using a water-dampened cloth. Dry all mounting assemblies thoroughly after cleaning.

CAUTION: GCX makes no claims regarding the efficacy of the listed chemicals or processes as a means for controlling infection. Consult your hospital's infection control officer or epidemiologist. To clean or sterilize mounted instruments or accessory equipment, refer to the specific instructions delivered with those products.