

Installation Guide

Installation Kit for mounting GE Healthcare PDM Bedside Dock or Mini Dock under VHM or M-Series Arm



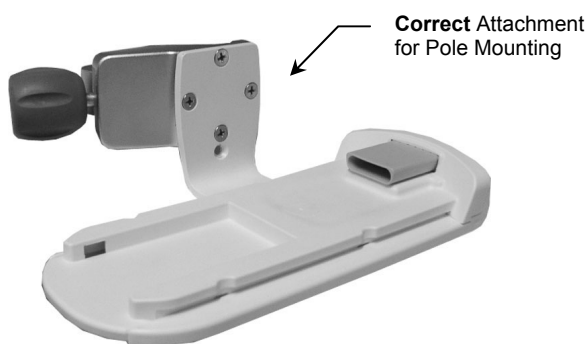
The purpose of this guide is to:

1. Describe attachment of Down Post to Arm (page 2).
2. Describe attachment of bedside dock and mini dock to L-Bracket and PRC (page 3).
3. Describe mounting of PRC on Down Post (page 4).



WARNING: Do not mount the PDM in a vertical position. The L-Bracket must be attached as shown below left to ensure PDM is not mounted vertically. The example on the right shows an incorrect pole-mounting attachment. These examples also apply to the mini dock.

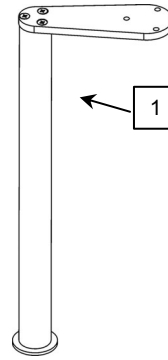
Weight Limit for the PRC is 30 lbs.



Attaching the Down Post to VHM or M-Series Arm

This installation requires the following parts and hardware from installation kit **P/N 2022677-001**:

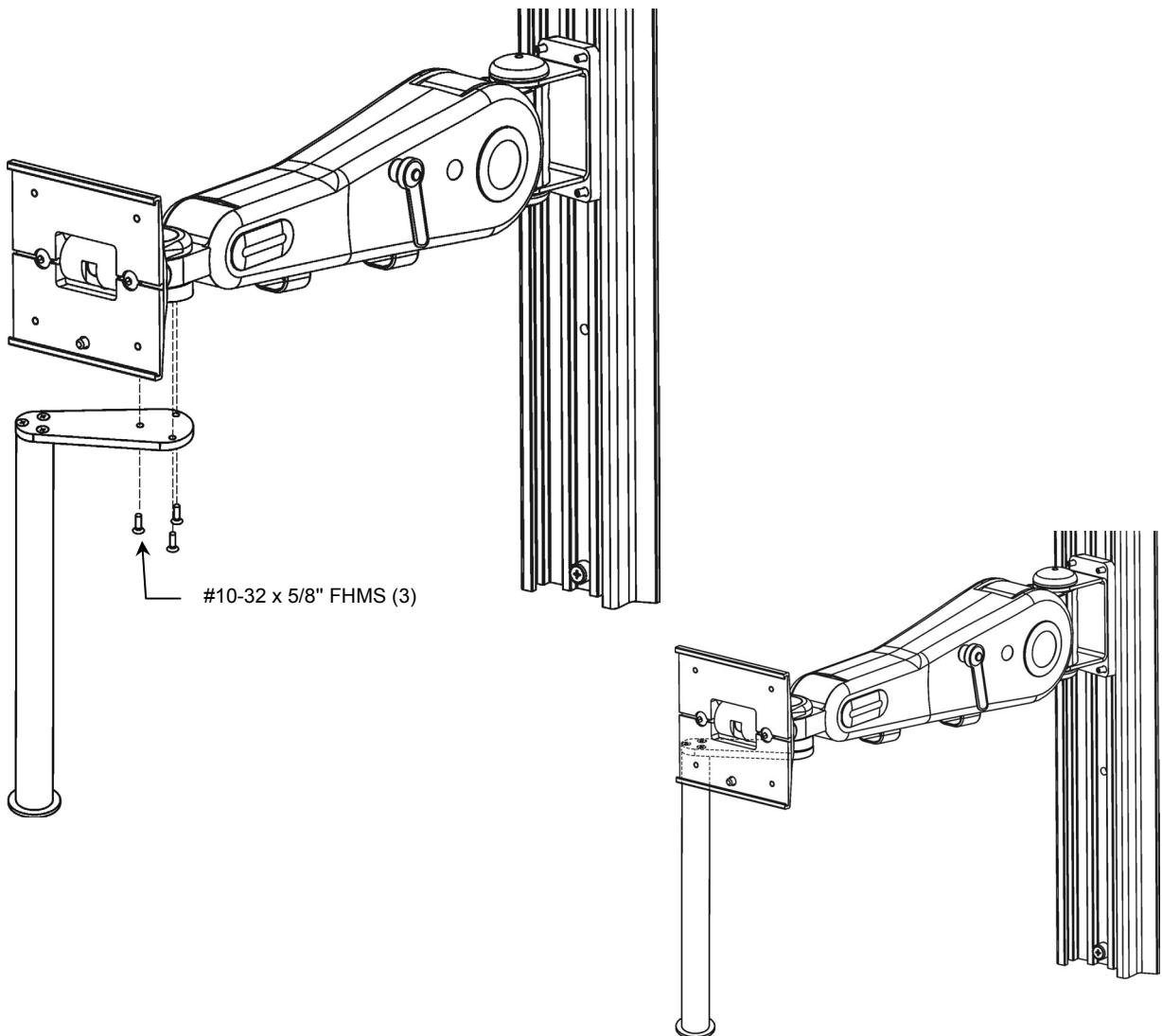
Item #	Description	Qty
1	Down Post, 15" with Offset Mounting Adapter	1
2	#10-32 x 5/8" FHMS	3



Tools required: Phillips screwdriver (not provided).

Installation Note: Attachment procedure is the same for VHM or M-Series Arm. Only the VHM Arm is shown below.

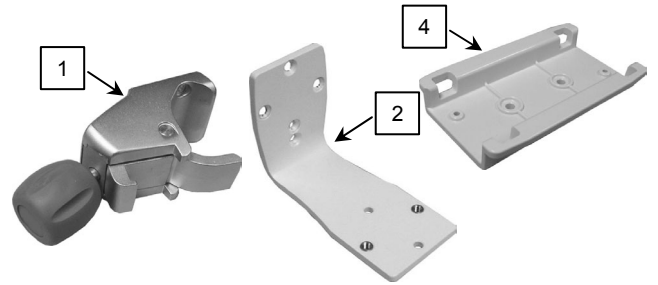
1. Using a Phillips screwdriver, fasten Down Post to corresponding mounting holes on bottom of Arm with three (3) #10-32 x 5/8" FHMS as shown below.



Mounting PDM Bedside Dock or Mini Dock on PRC & L-Bracket

This installation requires the following parts from installation kits **P/N 2021963-001**, **P/N 2021967-001**, and **P/N 2021968-001**:

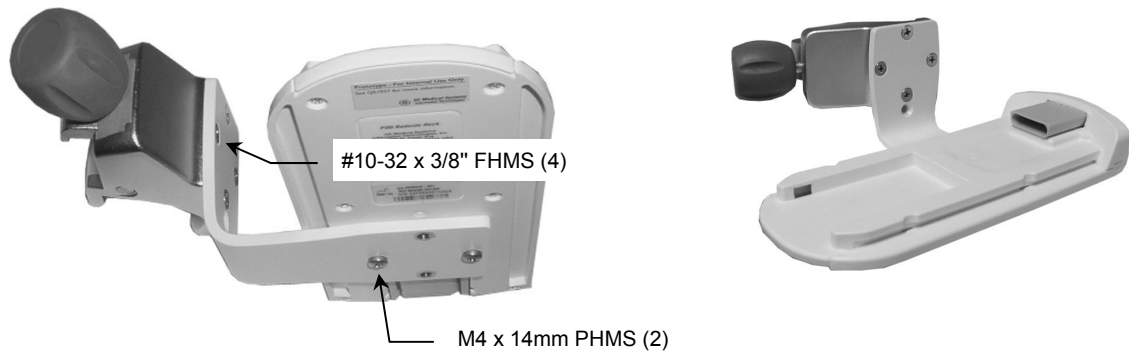
Item #	Description	Qty
1	Pole/Rail Clamp	1
2	PDM L-Bracket	1
3	#10-32 x 3/8" Flat Head Machine Screw (FHMS)	4
4	PDM Mini Dock	1
5	M4 x 14 mm Pan Head Machine Screw (PHMS)	2
6	#10-32 x 3/8" PHMS	2



Tools required: Phillips screwdriver (not provided).

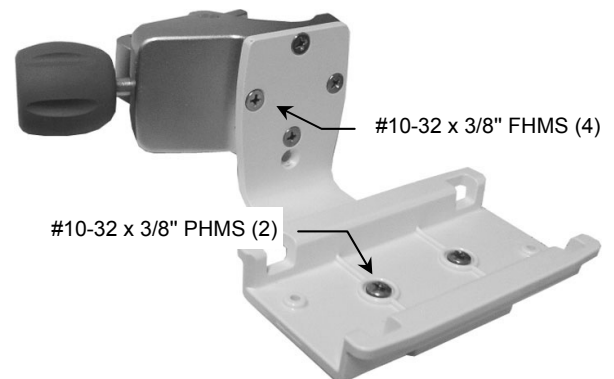
Bedside Dock Pole Mount

1. Orient PRC as shown below left and fasten L-Bracket to PRC with four (4) #10-32 x 3/8" FHMS.
2. Fasten bedside dock to L-Bracket with two (2) M4 x 14 mm PHMS (below left).



Mini Dock Pole Mount

1. Fasten L-Bracket to PRC with four (4) #10-32 x 3/8" FHMS as shown.
2. Fasten mini dock to L-Bracket with two (2) #10-32 x 3/8" PHMS as shown.



Mounting PRC on Down Post

1. Open Clamp by turning knob counterclockwise (CCW). Position Clamp around pole and turn Knob clockwise (CW) to tighten.

