

Installation Guide

GE Healthcare PRN-50M Plus Mounting Adapter for F5 or RAC Hanger
(Refer to qualified personnel)

Purpose:

To describe the installation of GE Healthcare PRN-50M Plus Mounting Adapter for F5 or RAC Hanger.

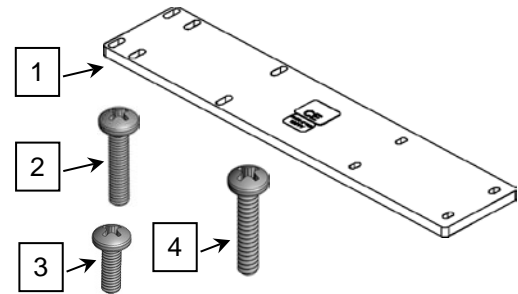
Parts Reference

The following parts and hardware are included in this installation kit:

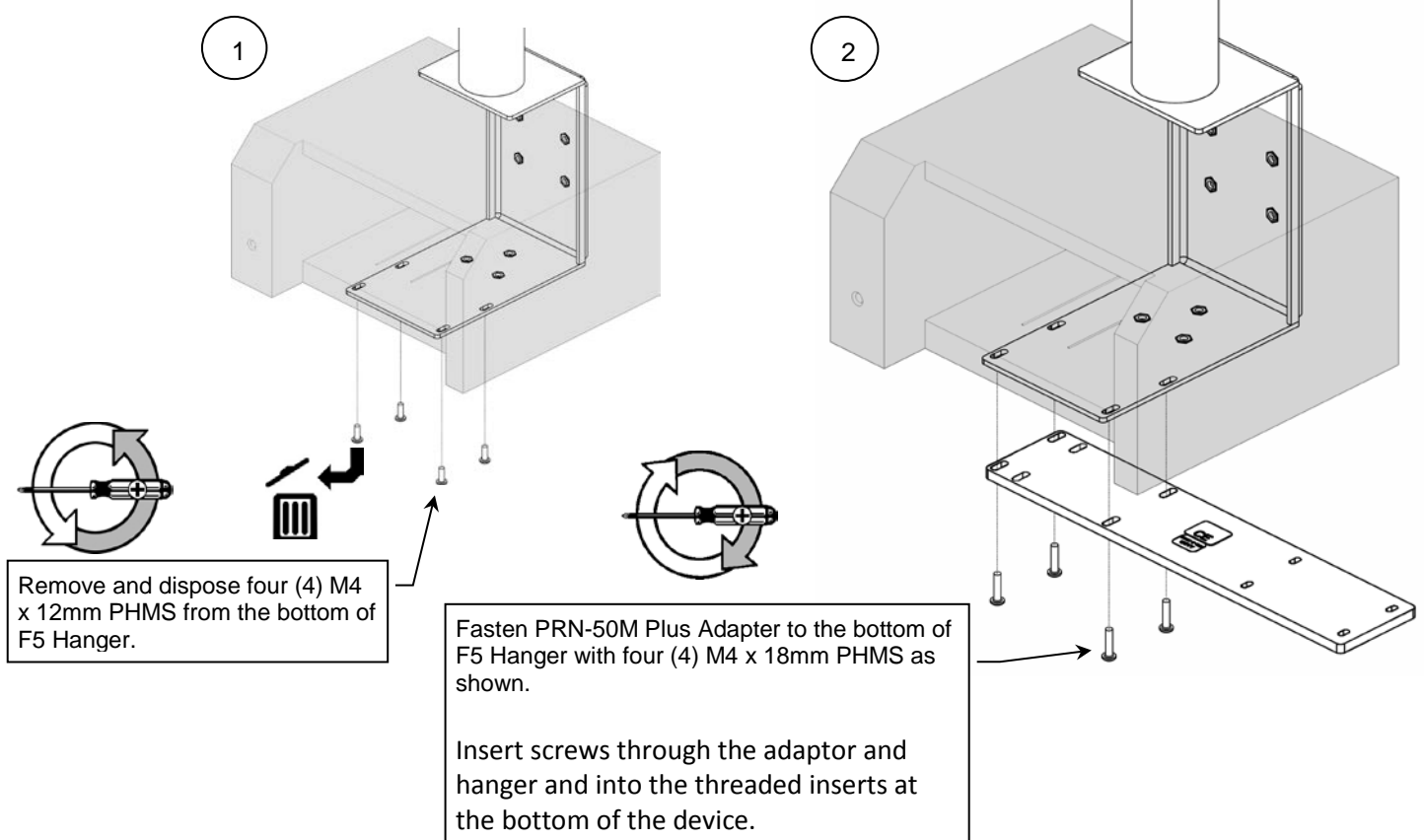
Item #	Description	Qty
1	PRN-50M Plus Mounting Adapter	1
2	M4 X 18mm PHMS	4
3	M4 x 12mm PHMS	4
4	6-32 x 5/8" PHMS	4

Tools required

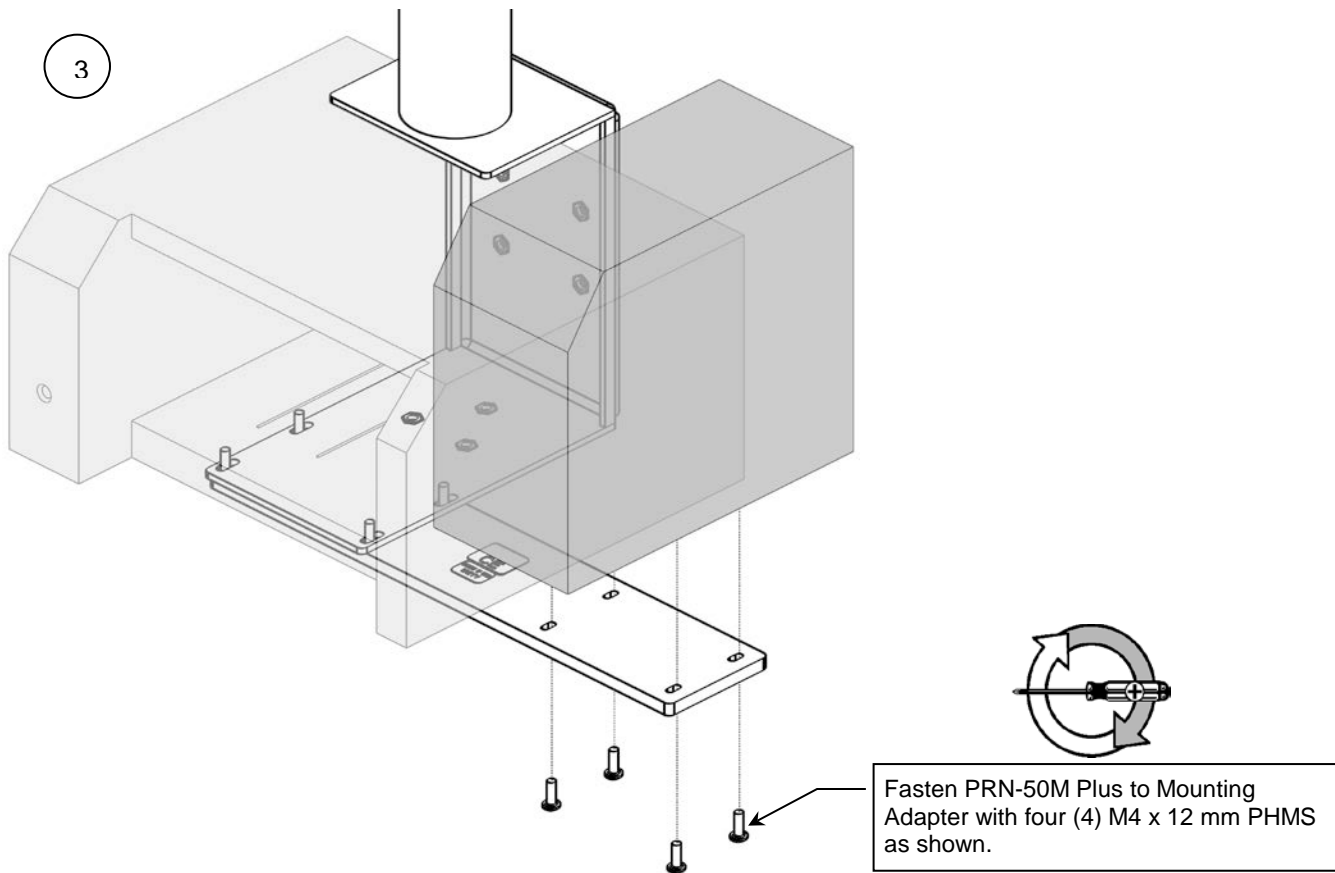
- Phillips screwdriver (not provided)



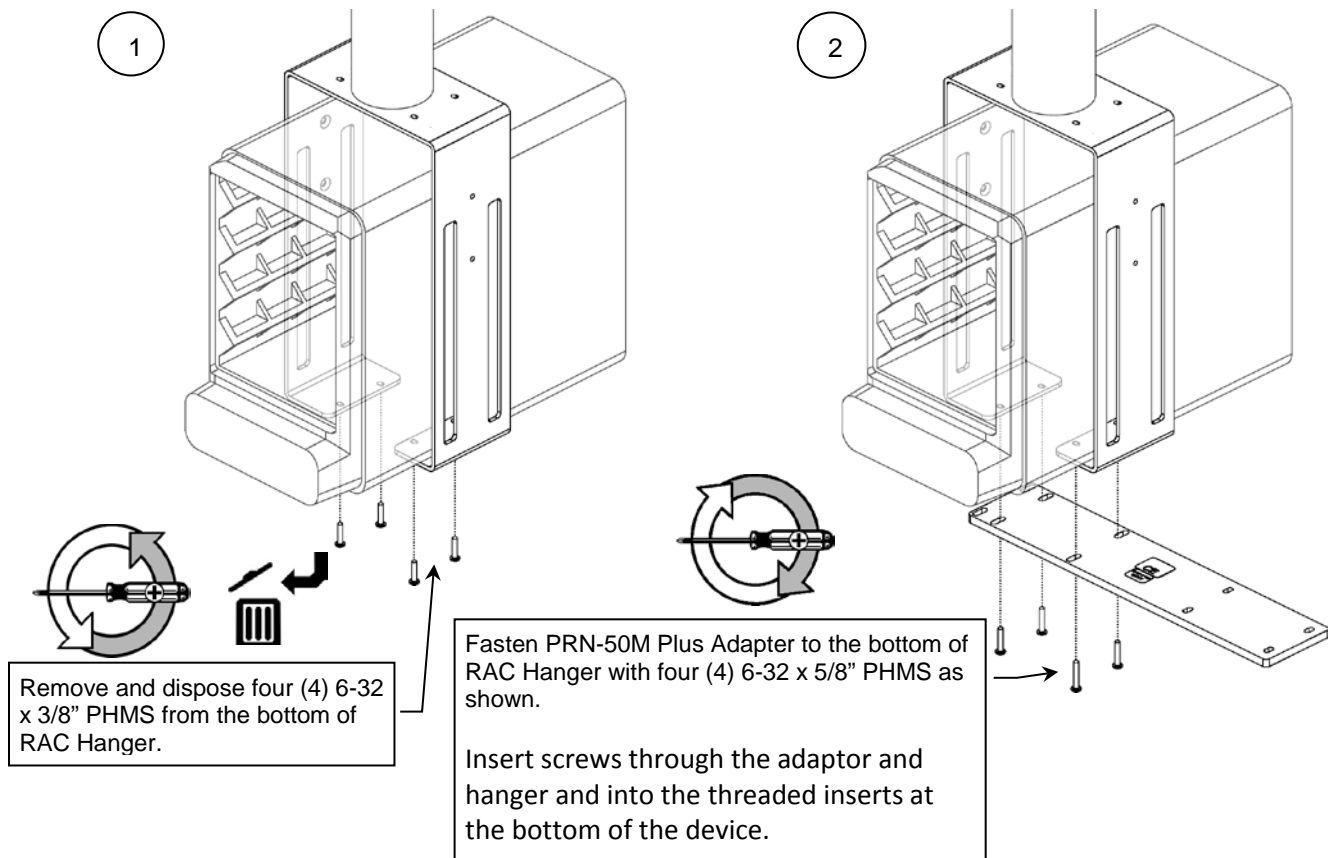
Attaching PRN-50M Plus Mounting Adapter to F5 Hanger



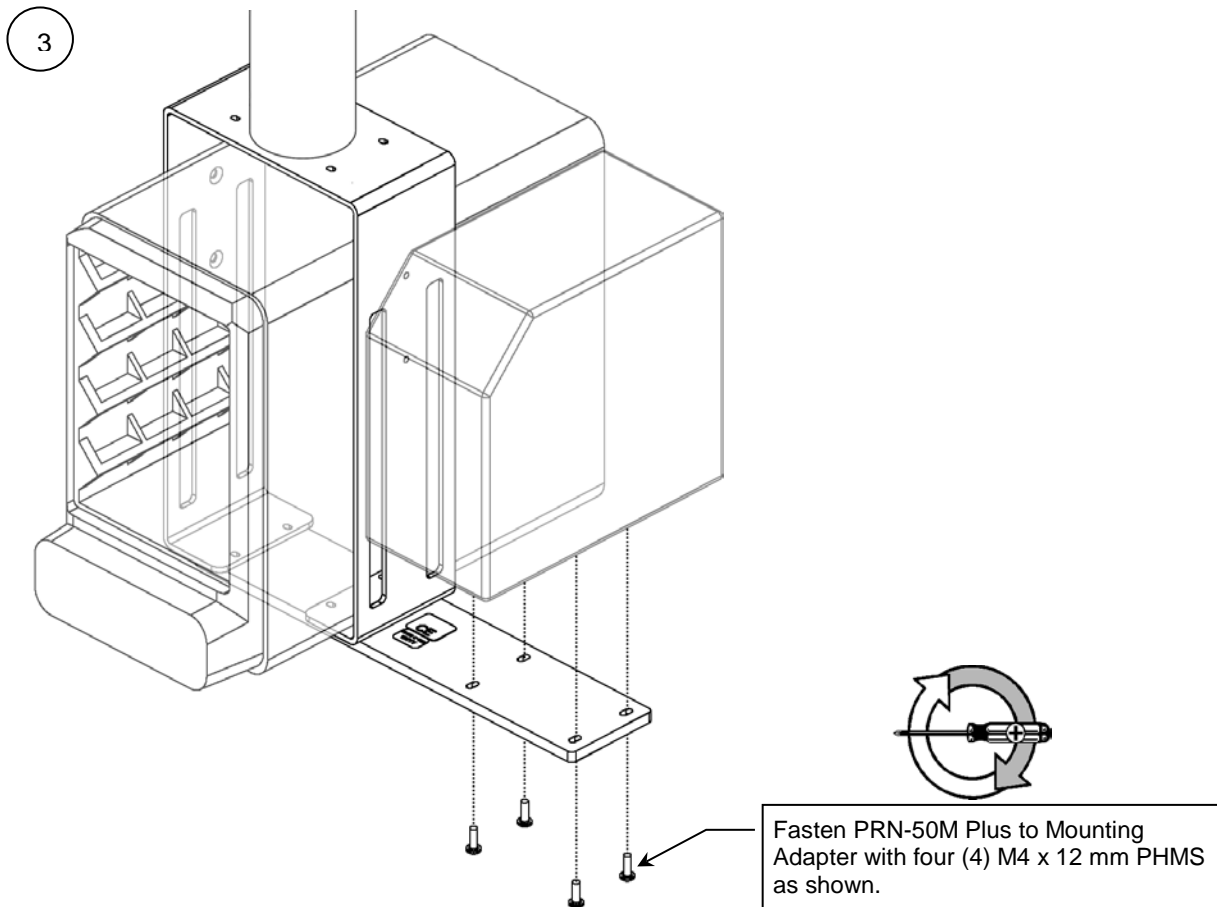
Mounting PRN-50M Plus on Mounting Adapter



Attaching PRN-50M Plus Mounting Adapter to RAC Hanger



Mounting PRN-50M Plus on Mounting Adapter



Routine Maintenance

Periodically inspect all mounting hardware. Tighten or adjust as necessary for optimal operation and safety.

Cleaning the Mounting Assembly

1. The mounting assembly may be cleaned with most mild, non-abrasive solutions commonly used in the hospital environment (e.g. diluted bleach, ammonia, or alcohol solutions).
2. The surface finish will be permanently damaged by strong chemicals and solvents such as acetone and trichloroethylene.
3. Do not use steel wool or other abrasive material to clean the mounting assembly.
4. Damage caused by the use of unapproved substances or processes will not be covered by warranty. We recommend testing of any cleaning solution on a small area of the mounting assembly that is not visible to verify compatibility.
5. Never submerge or allow liquids to enter the mounting assembly. Wipe any cleaning agents off of the mounting assembly immediately using a water-dampened cloth. Dry mounting assembly thoroughly after cleaning.

CAUTION: GCX makes no claims regarding the efficacy of the listed chemicals or processes as a means for controlling infection. Consult your hospital's infection control officer or epidemiologist. To clean or sterilize mounted instruments or accessory equipment, refer to the specific instructions delivered with those products.