

## Installation Guide

### Philips SureSigns VHM Wall Mount Kit

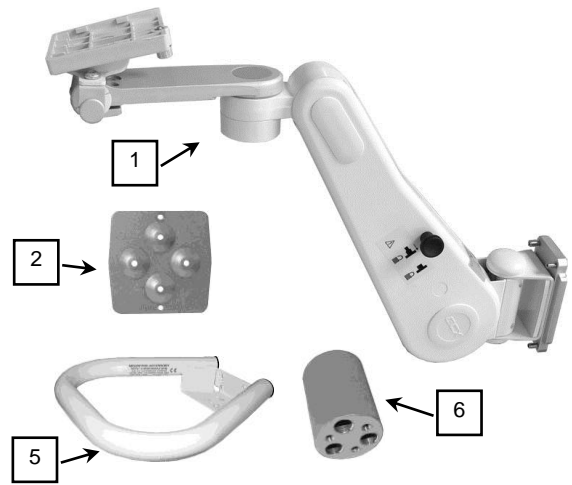
The purpose of this guide is to:

1. Describe attachment of Handle to Arm (page 2).
2. Describe mounting of Arm in channel (page 2).
3. Describe attachment of Mounting Adapter to monitor (page 3).
4. Describe mounting of monitor on Arm (page 3).

### Parts Reference

The following parts and hardware are included in this installation kit (hardware not shown):

Item #	Description	Qty
1	VHM Arm (includes instruction)	1
2	Mounting Adapter	1
3	M4 x 12mm PHMS	4
4	M4 Split Lock Washer	4
5	Handle Kit (includes hardware)	1
6	Spacer, Handle Attachment	1
7	#10-32 x 7/8" Socket Head Cap Screw (SHCS)	3
8	Cable Clip (see page 4)	2
9	1/8" Hex Wrench	1
10	5/32" [4mm] Hex Wrench	1
11	1/2" Socket Wrench	1
12	Wall Channel Cover, 16" (see page 4)	1



### Tools Required

- 1/8" hex wrench (provided)
- Phillips screwdriver (not provided)
- 5/32" hex wrench (provided)
- 1/2" socket wrench (provided).



**WARNING!** VHM Arm contains a strong spring which is used to counterbalance the weight of the mounted device. The Arm housing should never be disassembled by non-GCX personnel. The mounted device should only be removed with the Arm Locking Knob engaged. Failure to follow these guidelines could result in serious injury. Refer to *Installation & Operation Manual for VHM Series Arms" (DU-WS-0001)* for further information about the VHM Arm.

### Before mounting the Arm:

1. Note that this arm has a wide range of motion both up/down and side to side. Please consider carefully the device being mounted and the proximity of the assembly to other equipment, hospital personnel, and the patient. GCX recommends that the hospital's risk management personnel verify the appropriateness of the application prior to installation and use.
2. If assistance is needed regarding an application, please contact a GCX product specialist at (800) 228-2555.

## Attaching the Handle to the VHM Arm

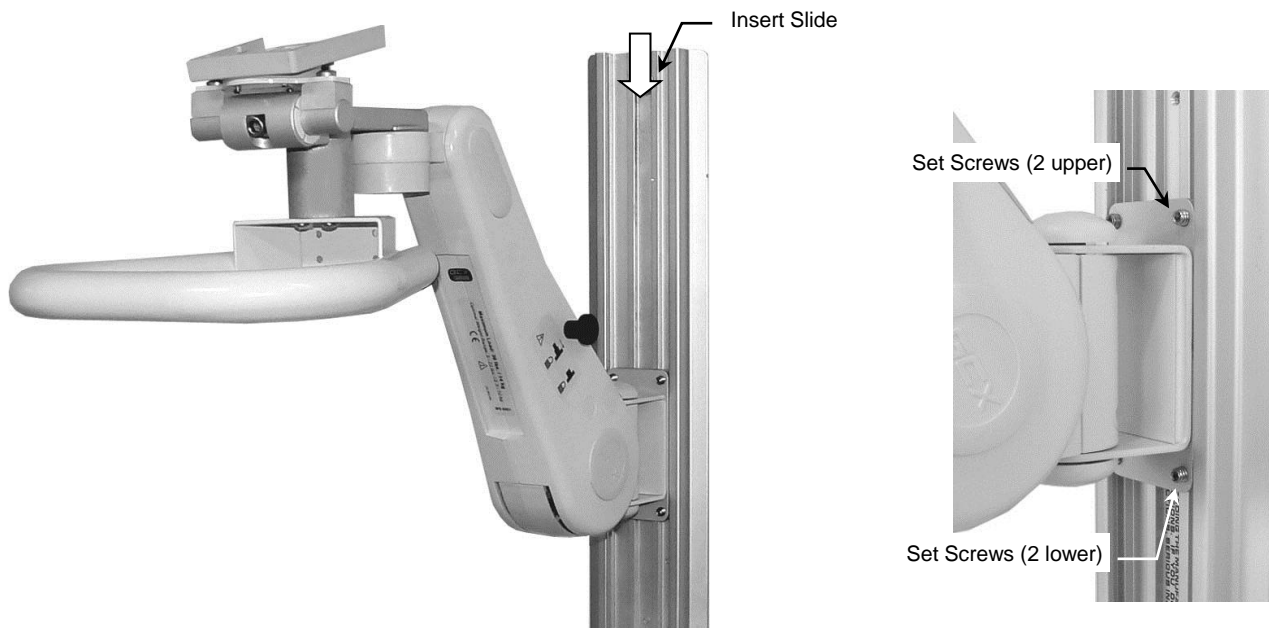
**Installation Note:** The Handle Attachment Spacer is packaged separately from the Handle Kit.

1. Using the 5/32" hex wrench provided, fasten Handle Attachment Spacer to the corresponding mounting pattern on the Arm with three (3) #10-32 x 7/8" SHCS as shown below left.
2. Fasten Handle to Spacer with three (3) #10-32 x 3/8" PHMS as shown below right. **Installation Note:** Three (3) #10-32 x 3/8" PHMS are obtained from the Handle Kit.



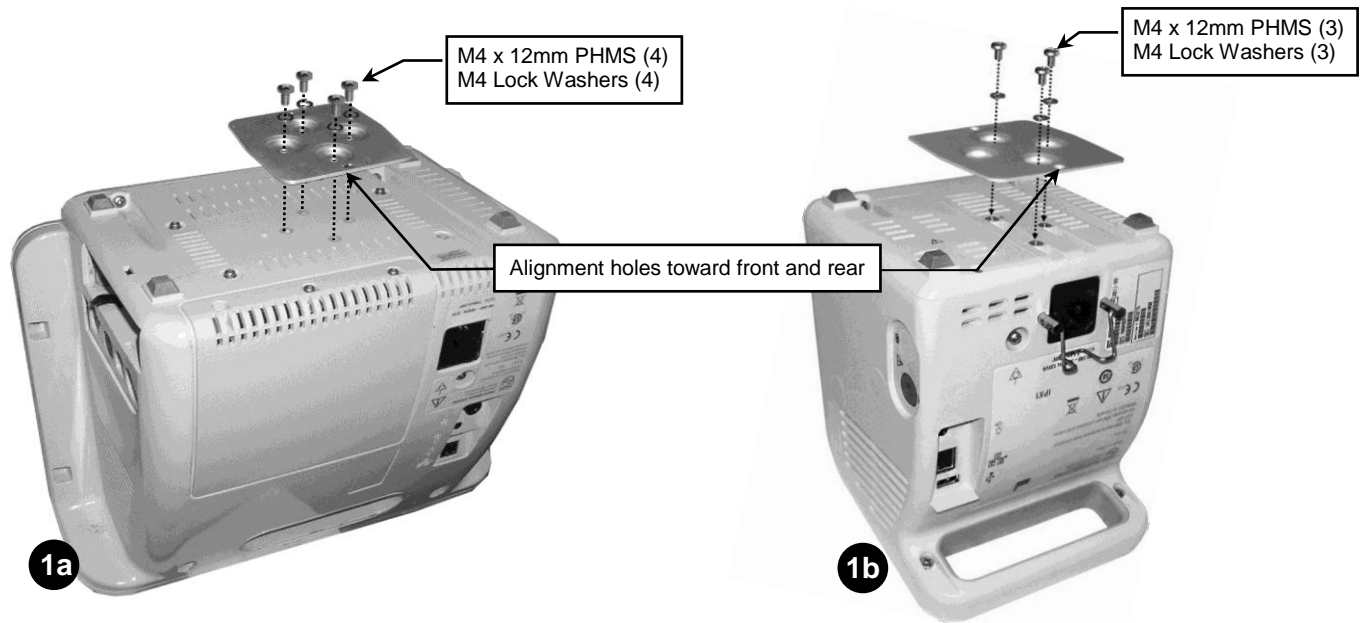
## Mounting the VHM Arm in the Channel

1. While supporting the bottom of the Arm, guide the Slide (rear of Arm) into the top of the wall channel (below left) and move Arm to required mounting position.
2. Using the 1/8" hex wrench provided, tighten four (4) set screws (shown below right) in Slide to secure position of Arm.

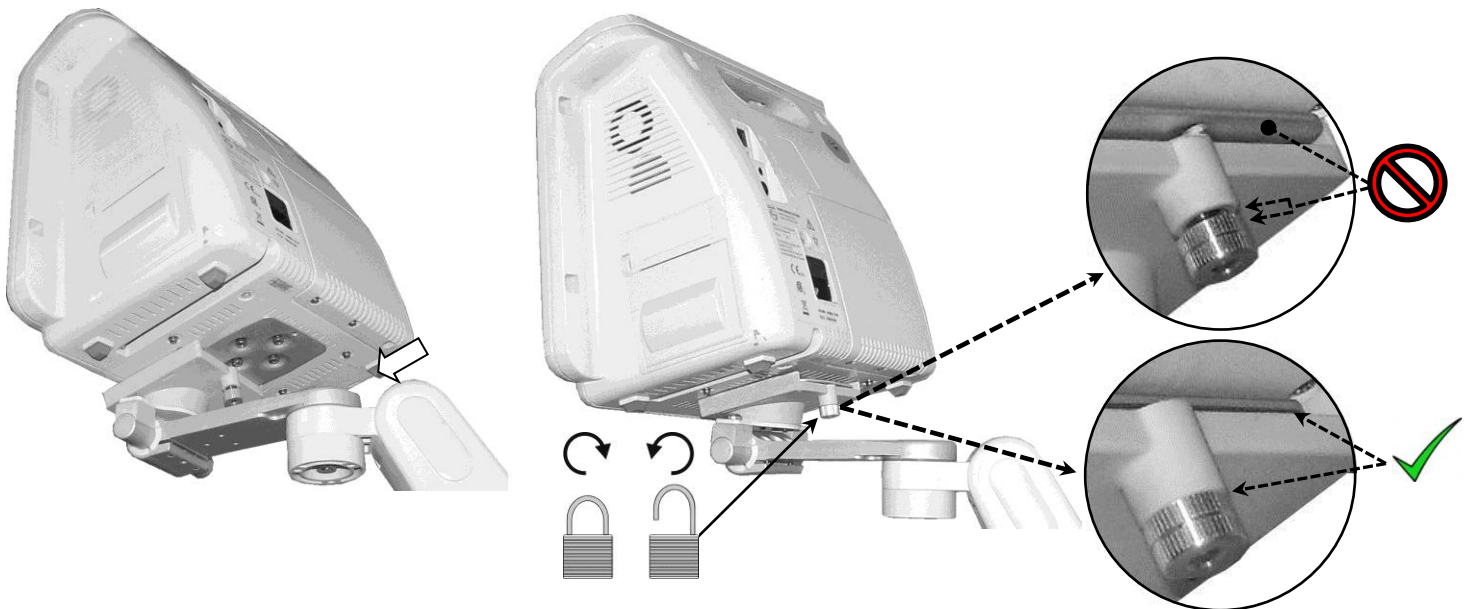


## Mounting the Monitor

1. Orient the Mounting Adapter with alignment holes toward front and rear (see callout below). Fasten Adapter to bottom of monitor with (4) M4 x 12mm PHMS and M4 Lock Washers (1a) or (3) M4 x 12mm PHMS and M4 Lock Washers (1b) as shown.



2. Slide Mounting Adapter into Receptacle from the rear as shown below left.
3. Tighten Thumbscrew at rear of Receptacle (below right).

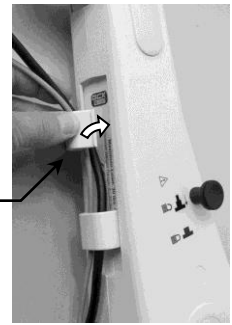


4. Check the pivot, tilt, and swivel functions for proper tension. If adjustments are required, refer to the installation guide, *Installation & Operation Manual for VHM Series Arms* (DU-WS-0001).

## Cable Clips

Two (2) Molded Cable Guides are provided to facilitate routing of cables along the underside of the arm. Squeeze the Cable Guide until its edges snap into the grooves in the bottom surface of the arm. Leave extra cable loose at the front and rear of the arm to prevent cable binding, or damage to connectors or Cable Guides.

Cable Guides (2)



## Installing the 16" Wall Channel Cover (not shown)

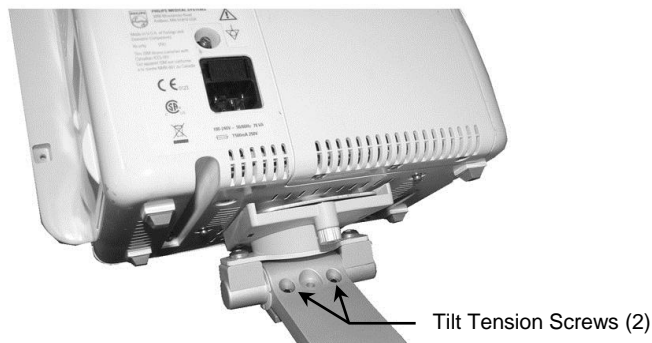
Install the Wall Channel Cover in accordance with the *Channel Cover Installation Guide (DU-UT-0001-20)*.

## Making Adjustments to the VHM Arm

Only adjustments specific to this Arm will be covered in this section. Refer to *Installation & Operation Manual for VHM Series Arms" (DU-WS-0001)* for all other adjustment procedures.

### Adjusting Tilt Tension

Using the 5/32" hex wrench provided, equally tighten or loosen two (2) tilt tension screws shown below.



## Routine Maintenance

Periodically inspect all fasteners associated with the mounting system. Tighten as necessary for optimal operation and safety.

### Cleaning the Mounting Assembly

1. The mounting assembly may be cleaned with most mild, non-abrasive solutions commonly used in the hospital environment (e.g. diluted bleach, ammonia, or alcohol solutions).
2. The surface finish will be permanently damaged by strong chemicals and solvents such as acetone and trichloroethylene.
3. Do not use steel wool or other abrasive material to clean the mounting assembly.
4. Damage caused by the use of unapproved substances or processes will not be covered by warranty. We recommend testing of any cleaning solution on a small area of the mounting assembly that is not visible to verify compatibility.
5. Never submerge the roll stand or allow liquids to enter the mounting assemblies. Wipe any cleaning agents off the mounting assembly immediately using a water-dampened cloth. Dry all mounting assemblies thoroughly after cleaning.

**CAUTION:** GCX makes no claims regarding the efficacy of the listed chemicals or processes as a means for controlling infection. Consult your hospital's infection control officer or epidemiologist. To clean or sterilize mounted instruments or accessory equipment, refer to the specific instructions delivered with those products.