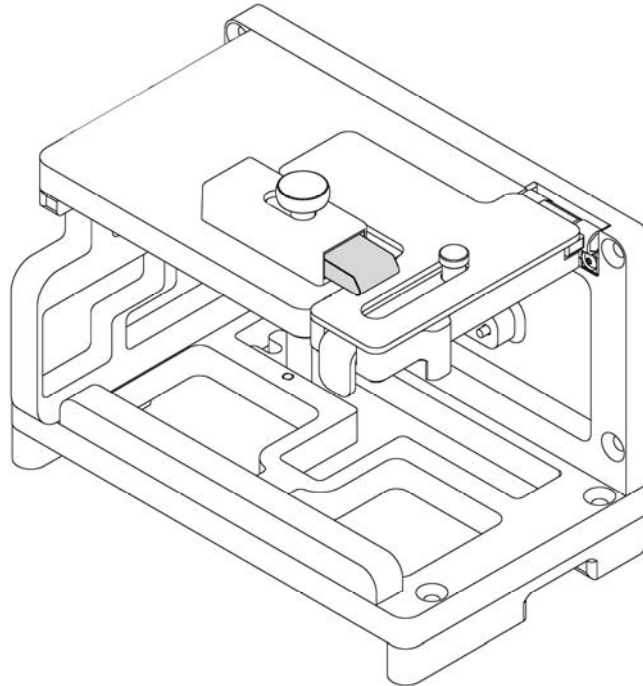


Installation Guide IntelliVue X3 Ambulance Mount



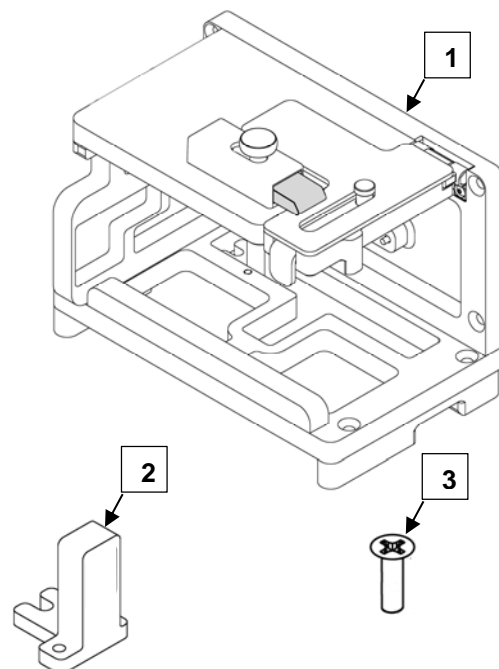
Warning: This mounting kit provides the appropriate hardware for its intended mounting application. It is the responsibility of the installer of this product to ensure that all screws used to secure the ambulance mount have a minimum thread engagement of three (3) 360° turns past the polyamide insert in the lock nuts, this will prevent the screws from backing off or loosening from any vibration.

Failure to adhere to this warning could result in damage to equipment or injury to patients/personnel.

Parts Reference

The following parts and hardware are included in this installation kit:

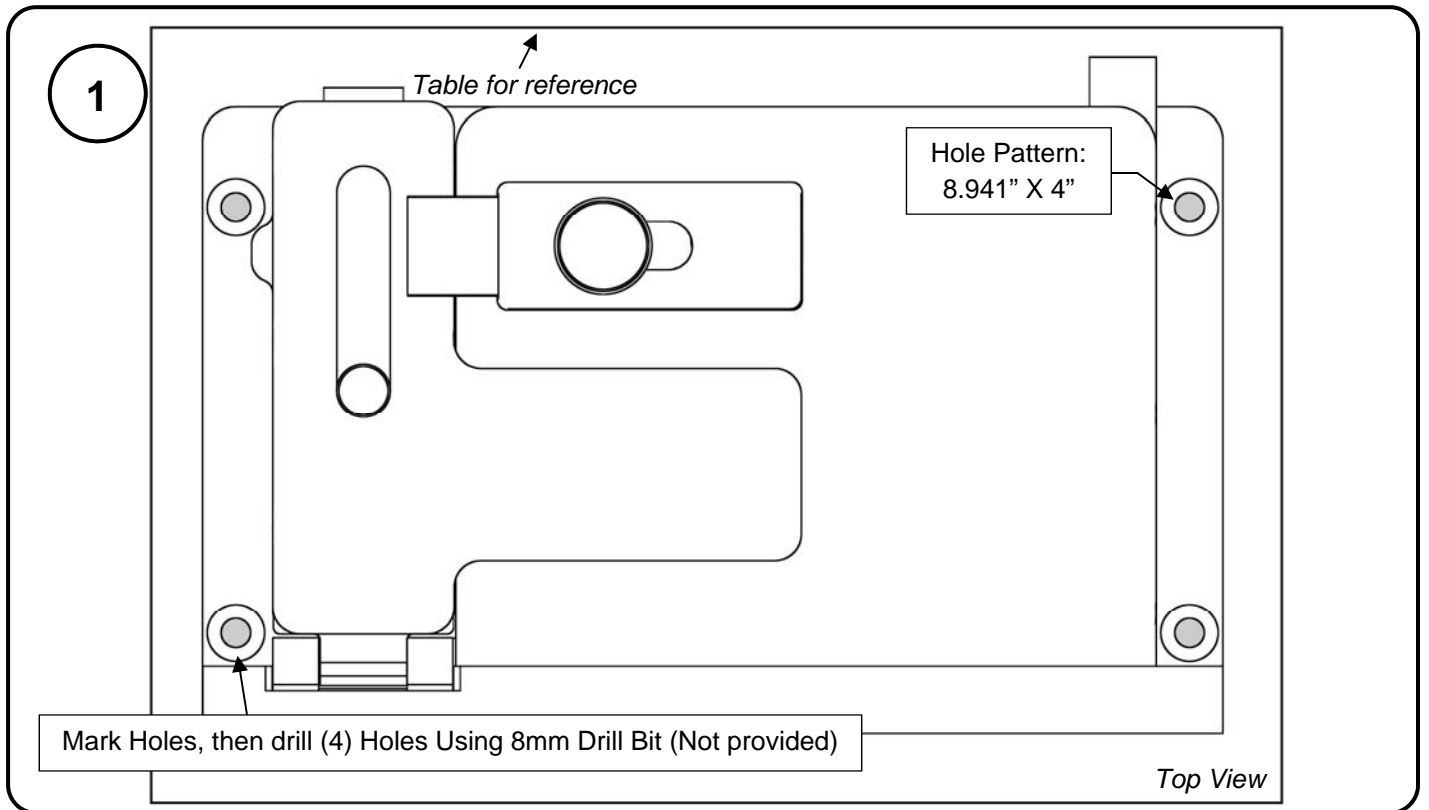
Item #	Description	Qty.
1	IntelliVue X3 Ambulance Mount	1
2	Power Cord Bracket	1
3	10-32 X 1/2" Flat Head Machine Screw (FHMS)	1
4	M6 X 40 Flat Head Machine Screw (Not Shown)	4
5	M6 X 70 Flat Head Machine Screw (Not Shown)	4
6	M6 X 1 Nylon Lock Nut (Not Shown)	4
7	3/4" X 1/4 X .90" Thick Washer (Not Shown)	4
8	M4 X 20mm Flat Head Machine Screw (Not Shown)	2



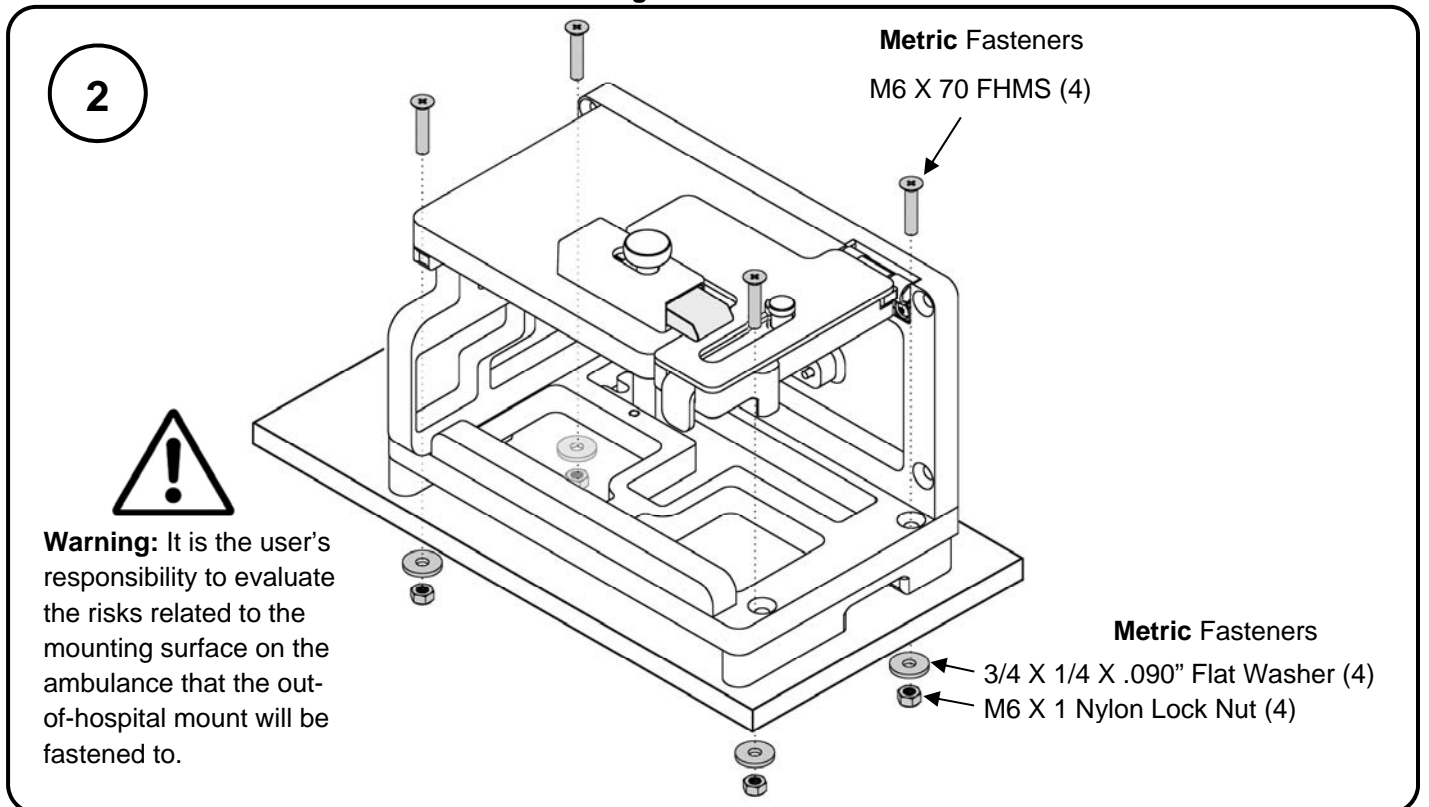
Tools Required:

- Phillips Screwdriver (Not provided)
- Power Drill (Not provided)
- 8mm Drill Bit (Not provided)

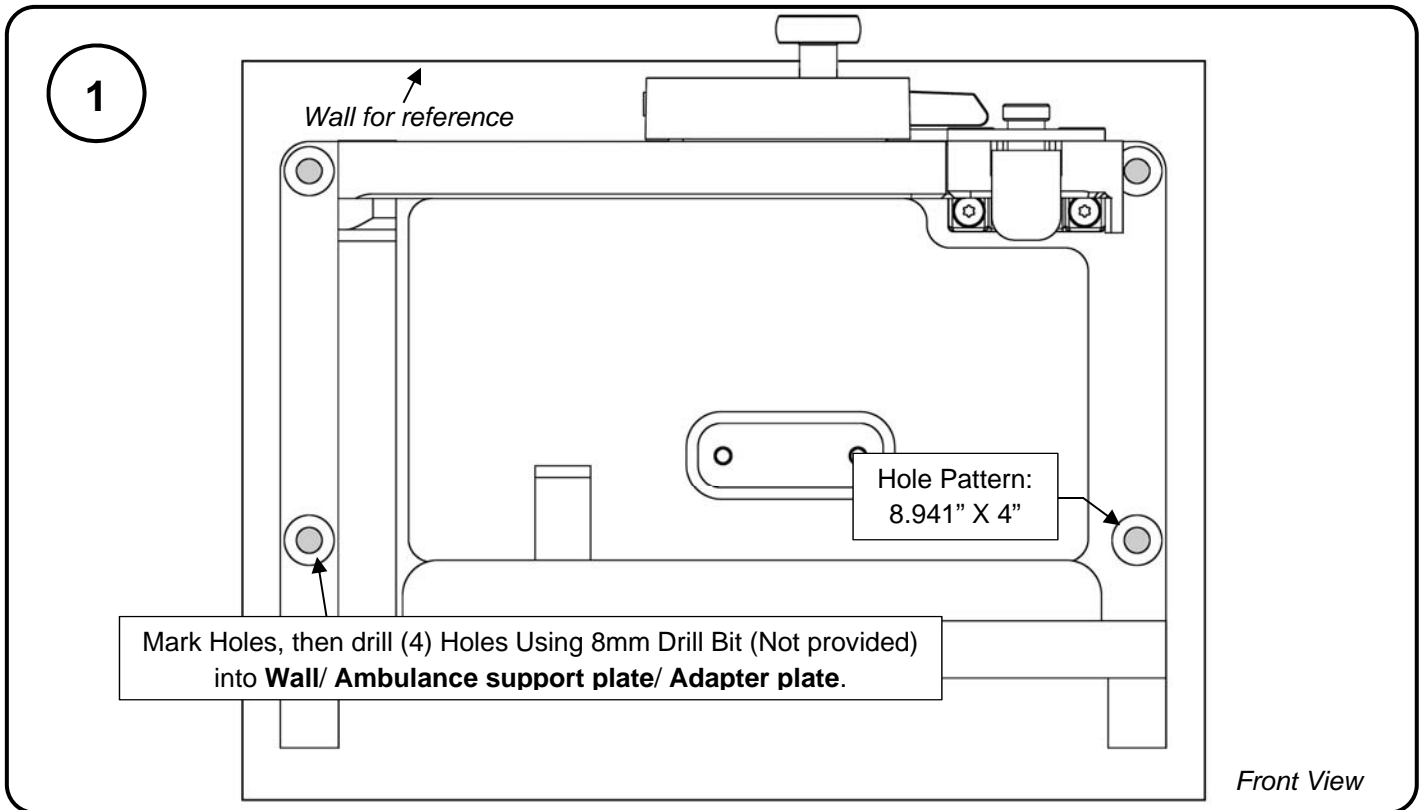
Mounting to Horizontal Surface



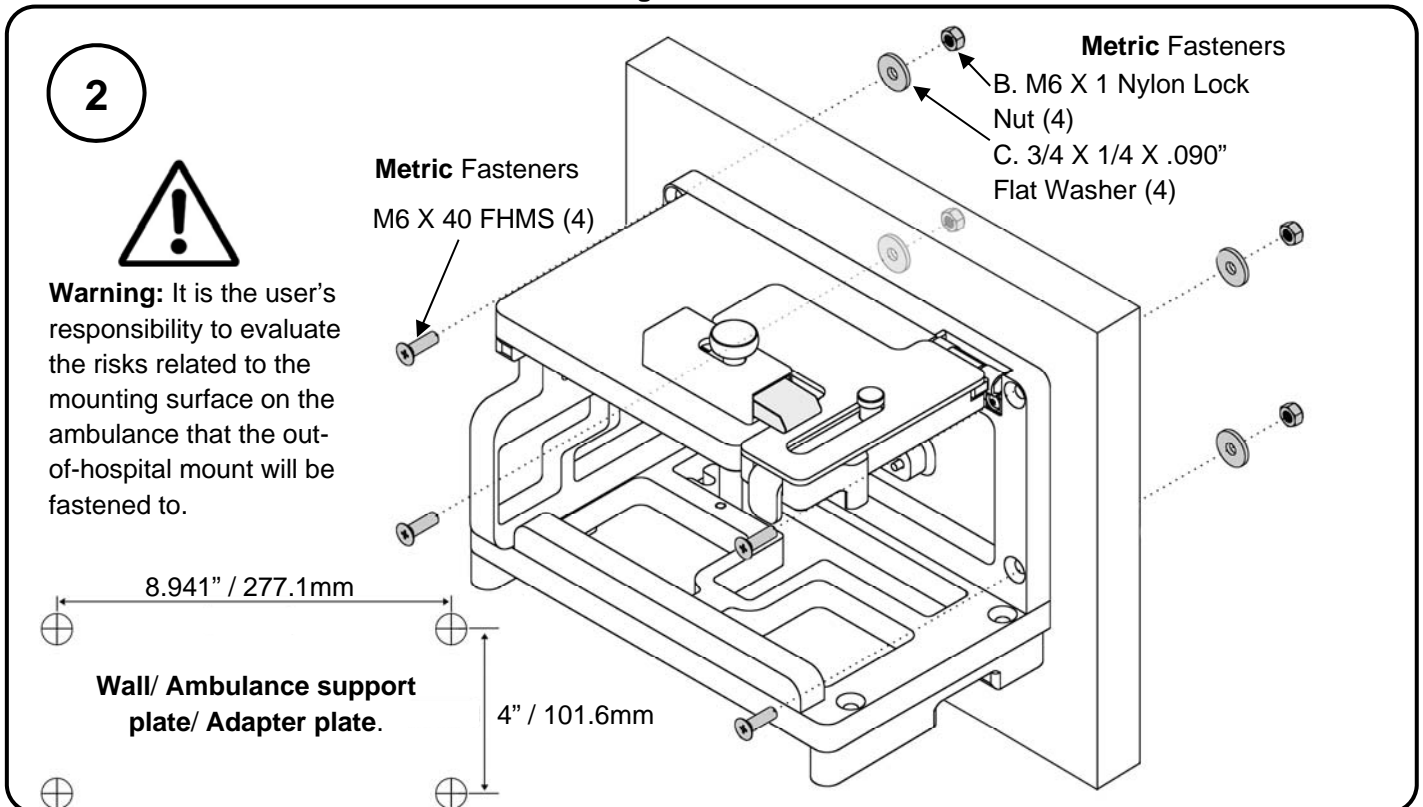
Choosing Preferred Fasteners



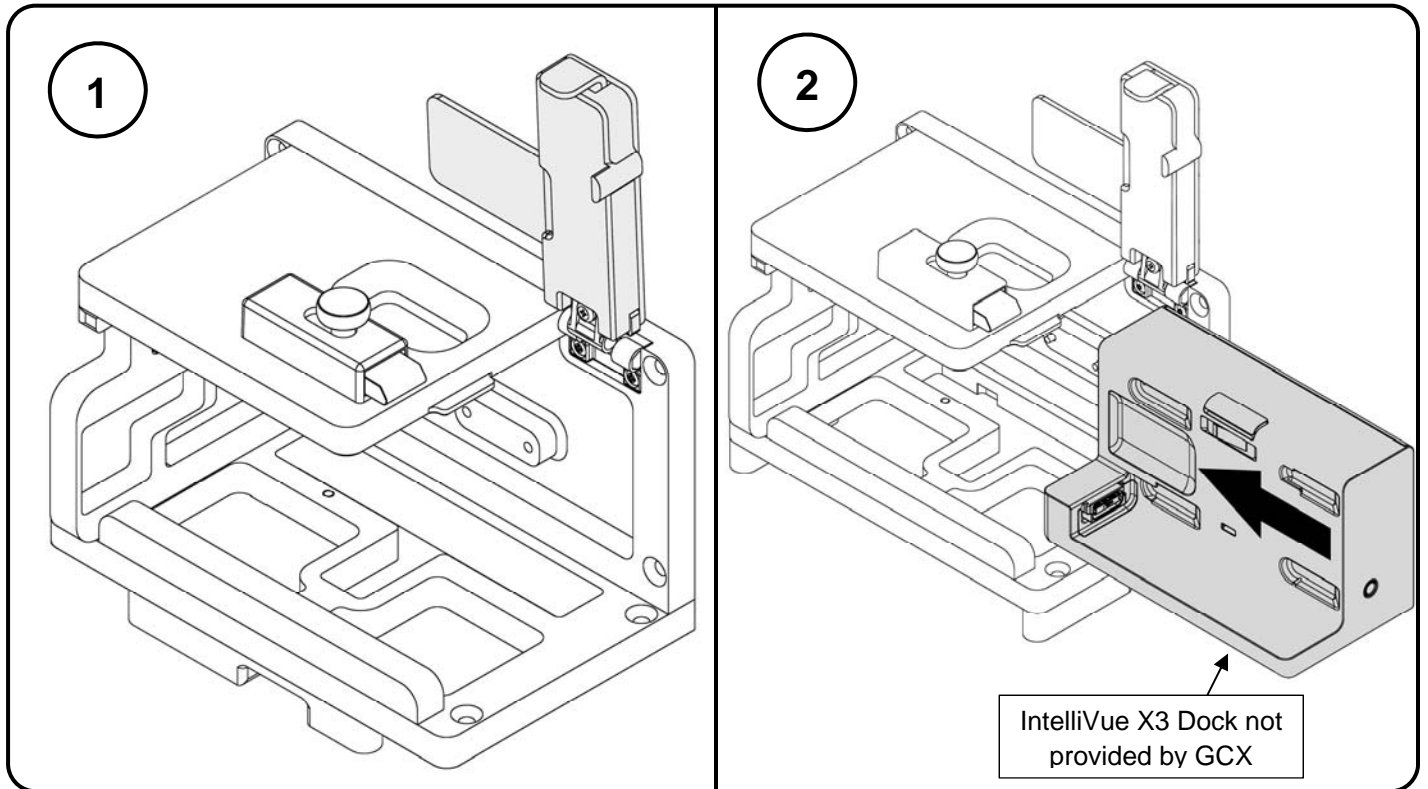
Mounting to Vertical Surface



Choosing Preferred Fasteners

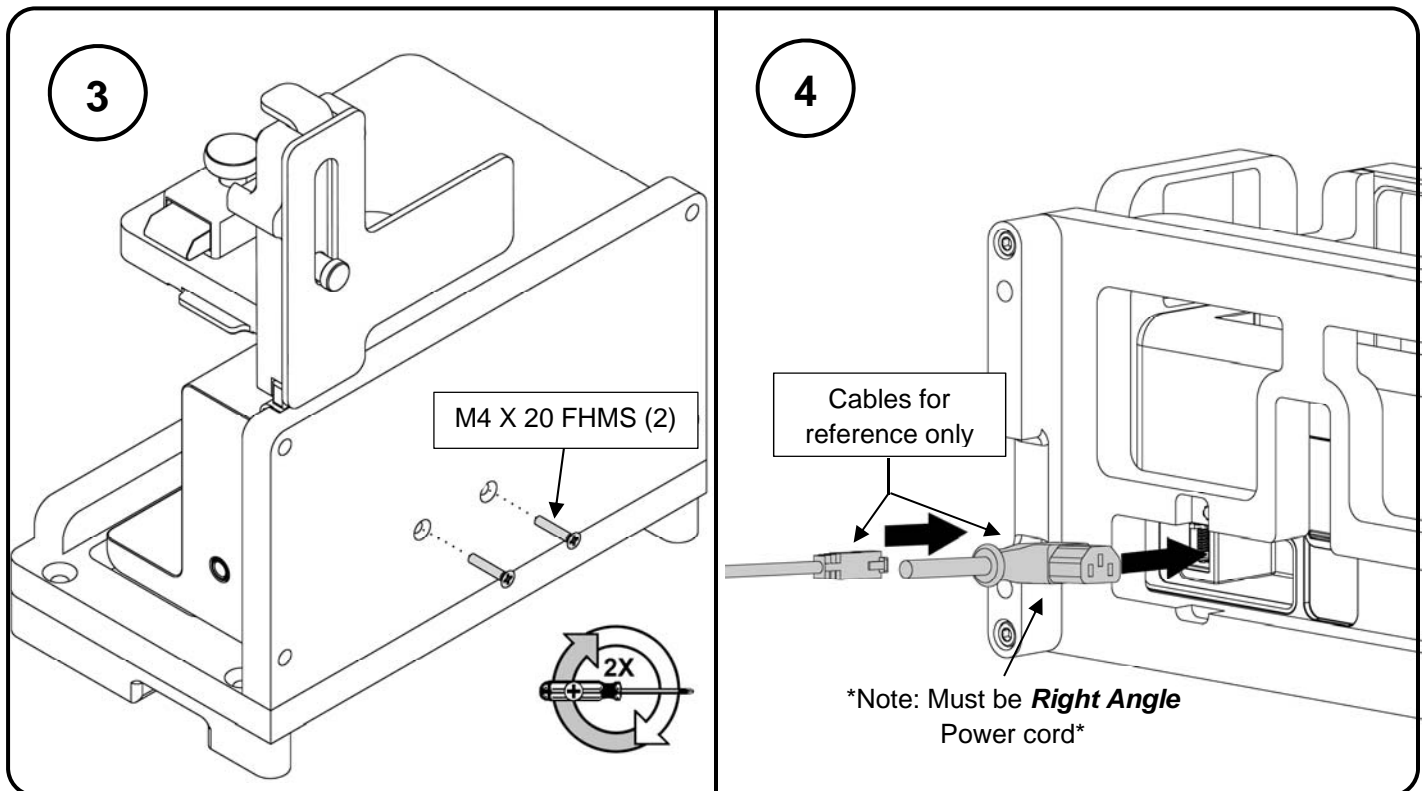


Docking Station Installation



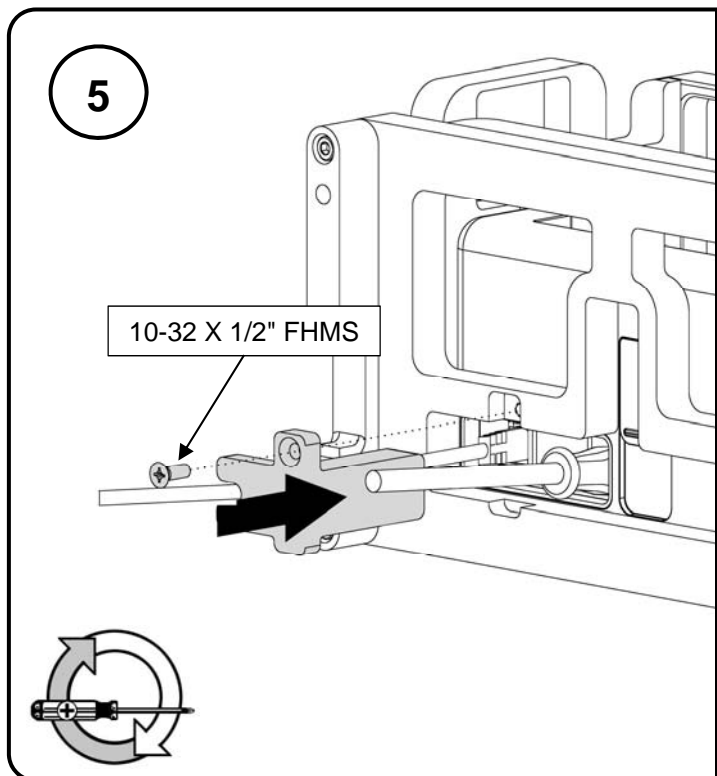
To begin the installation, make sure the latch is in the upward position as shown above. Failure to correctly position the latch will result in in-proper installation.

Slide the IntelliVue X3 Dock by sliding from right to left. Make sure the Dock slides smoothly and sits flush with the walls of the ambulance mount.

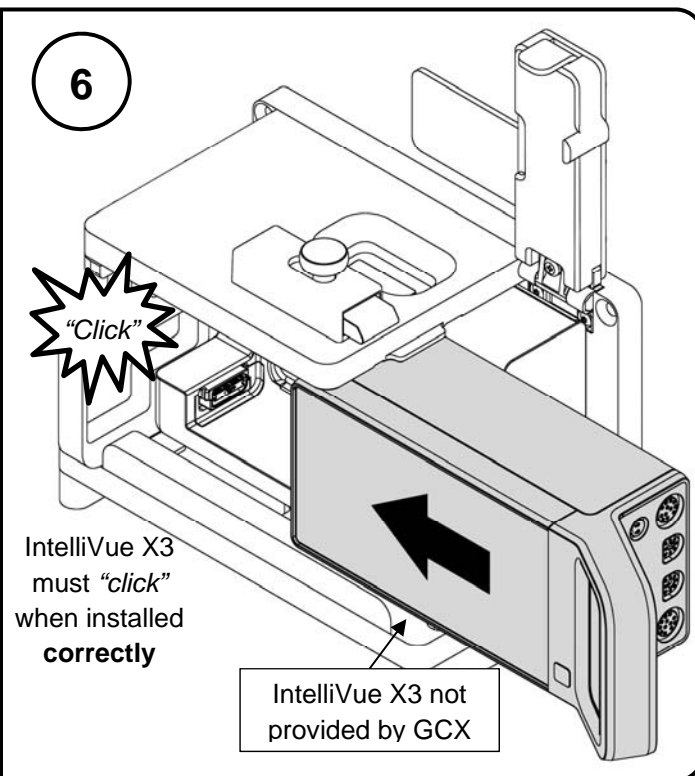


Using a Phillips screwdriver, screw in the provided M4 X 20 FHMS to the back of the ambulance mount. Make sure to correctly align the holes to ensure exact fit.

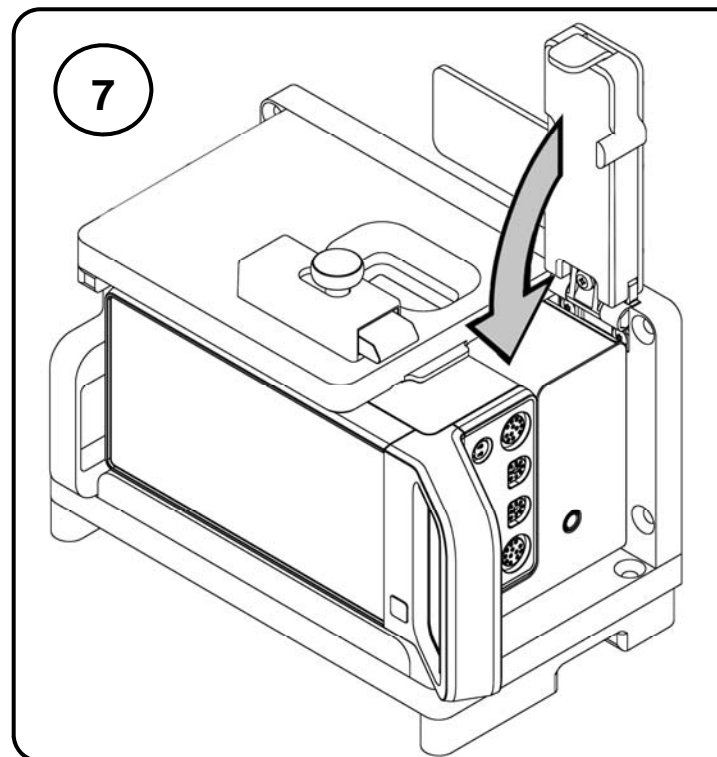
Securely install a **right angle** power cable and Ethernet cable into their corresponding slots. Failure to securely install the cables will result in connection issues and in-proper fit.



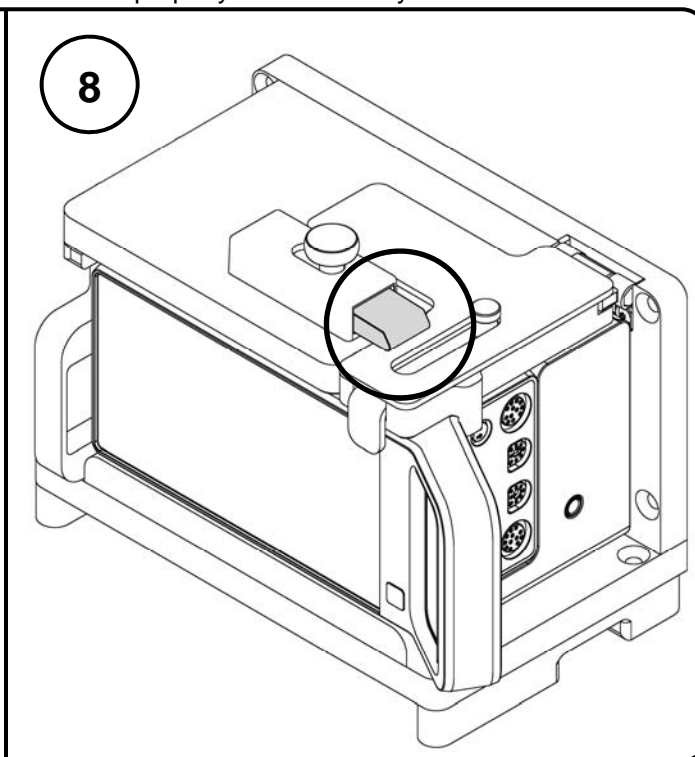
Install the provided cable retainer on the bottom of the ambulance mount using the provided 10-32 X 1/2" FHMS and a Phillips screwdriver. Make sure the screw is proper inserted to prevent cable failure.



While the lever is in open position, slide in the IntelliVue Monitor from the right to left. A "click" noise ensures a safe lock to the Docking station. Make sure the Monitor is docked correctly, otherwise the mount will not properly close and may lead to device failure.

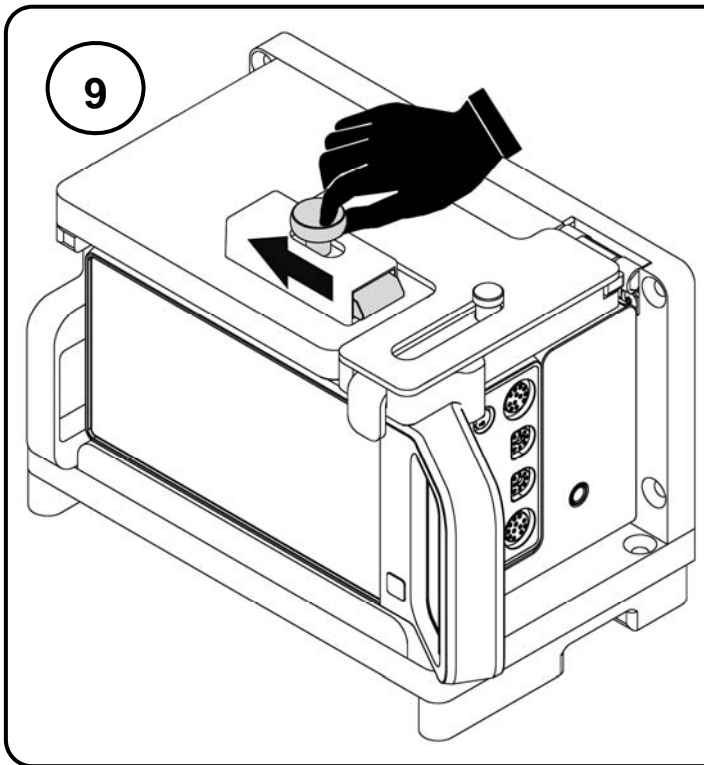


To secure the device, close the latch until end position is reached and the locking feature has secured the latch. No need to open the release button, while closing the latch.

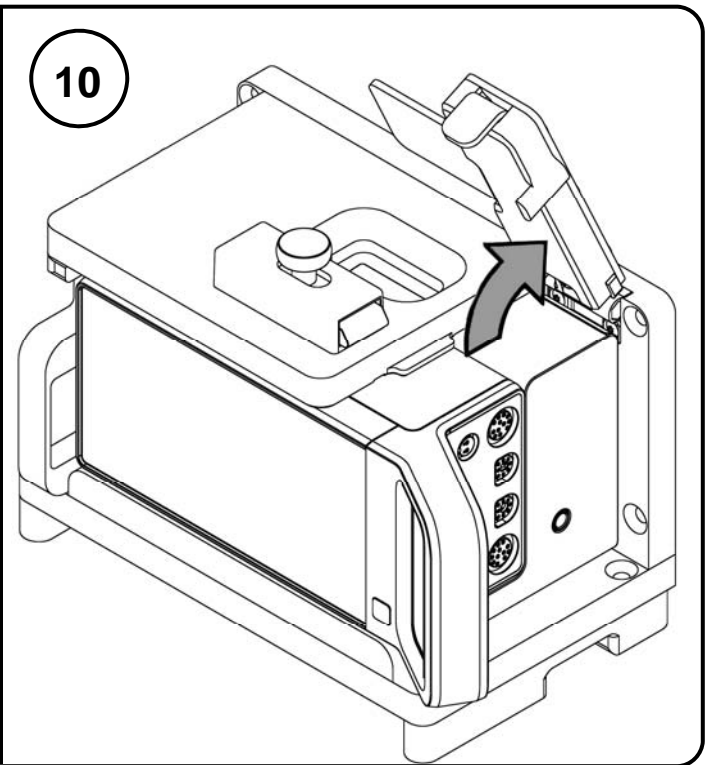


To ensure the installation has been done correctly, the slide lock should completely sit on top of the latch and should not come free without using the slide lock.

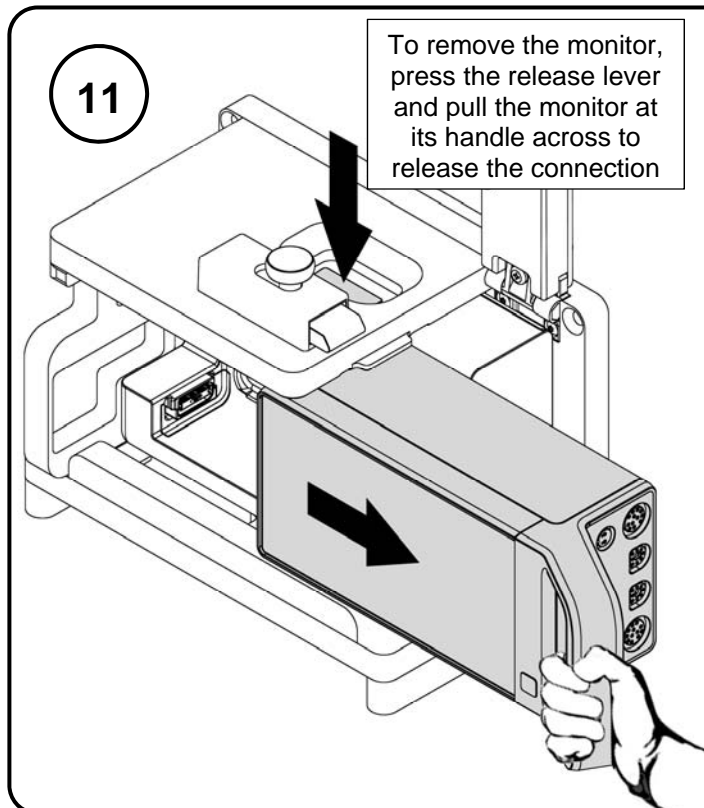
IntelliVue X3 with Extension Installation



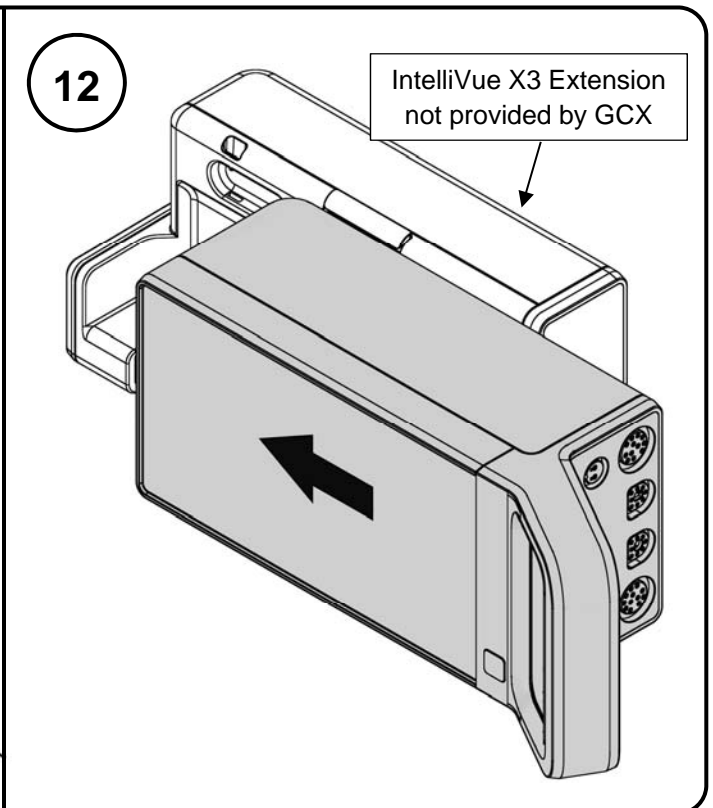
To remove the Philips IntelliVue, disengage the release button by sliding the button from left hand side until end position. Keep this position.



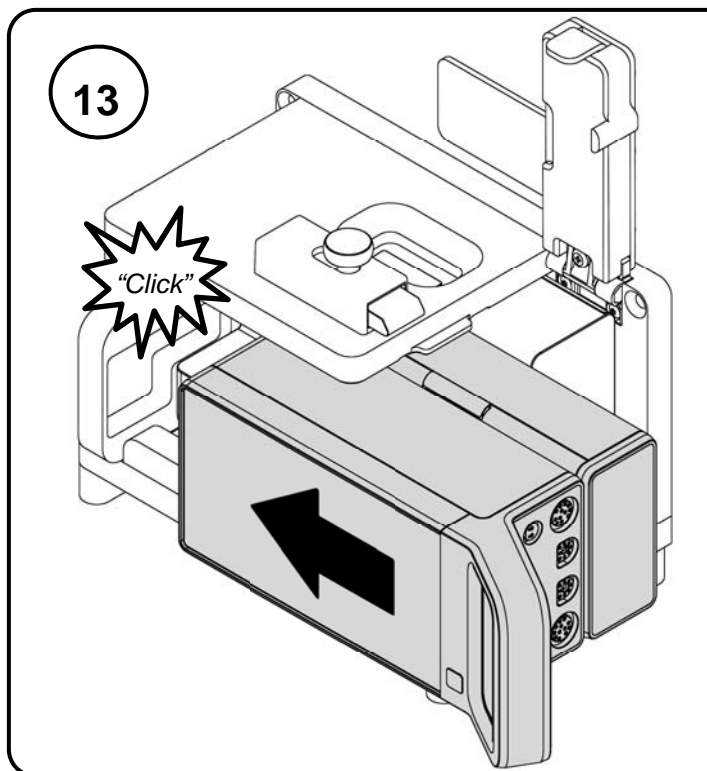
While the release button is fully disengaged, tilt the latch upward. Once the latch is fully in the vertical position, the release button may be released.



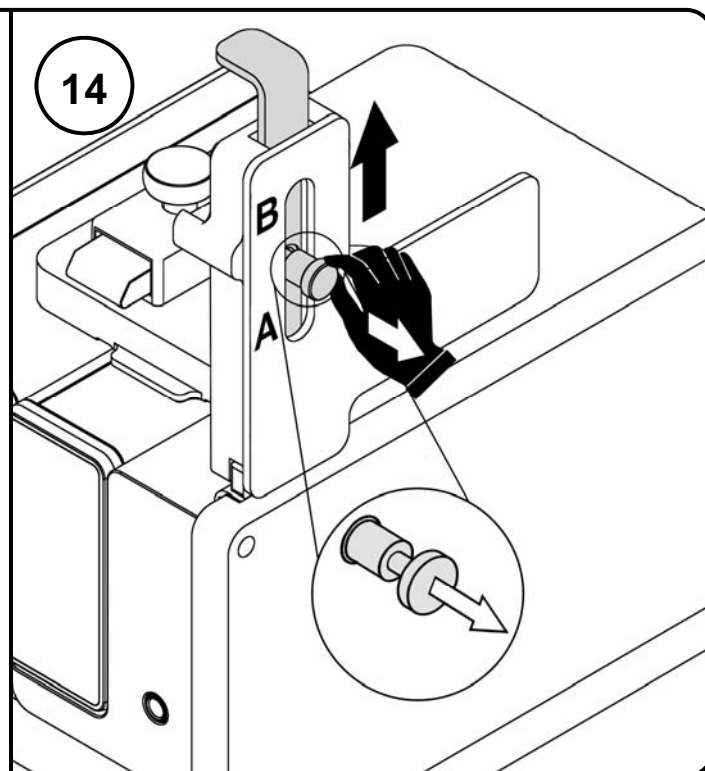
To release the Philips IntelliVue X3, Monitor from the Dock, press the release button on the top of the ambulance mount while simultaneously pulling the monitor from left to right until fully clear of dock.



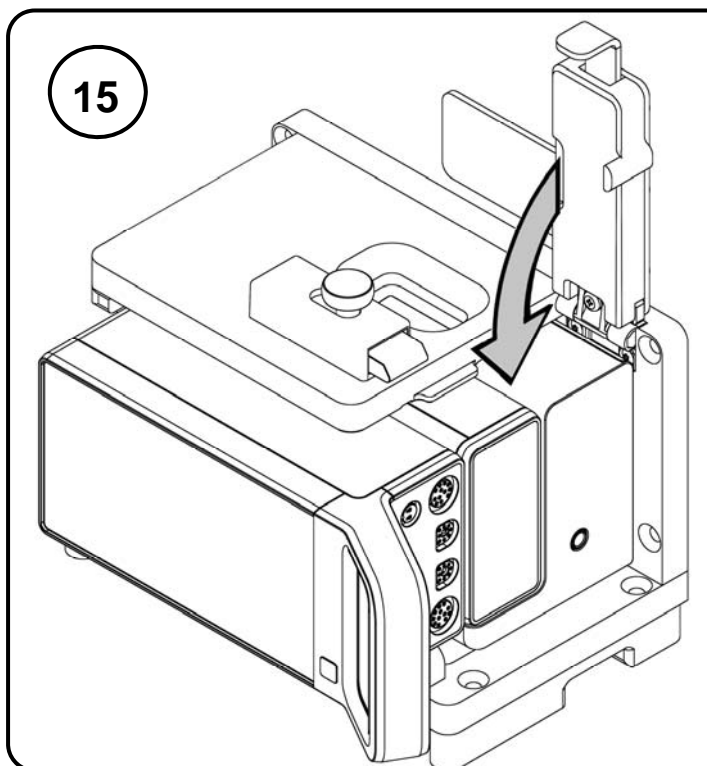
To install the Philips IntelliVue X3 to an extension, please follow the X3 / MX100 instruction for use (provided with the device).



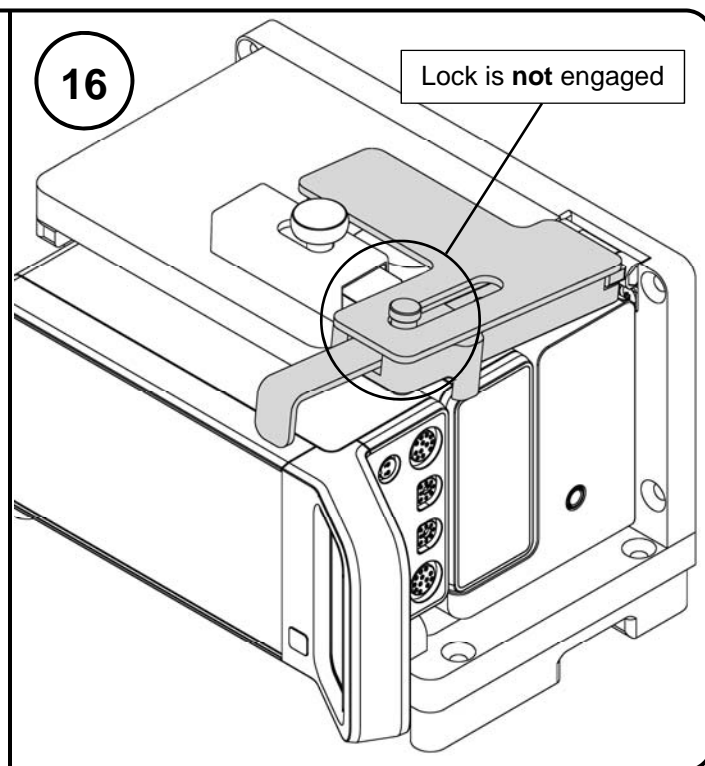
13 To install the IntelliVue X3 with the extension to the dock on the ambulance mount, slide the monitor from right to left until a *click* is heard that ensures a proper secure fit.



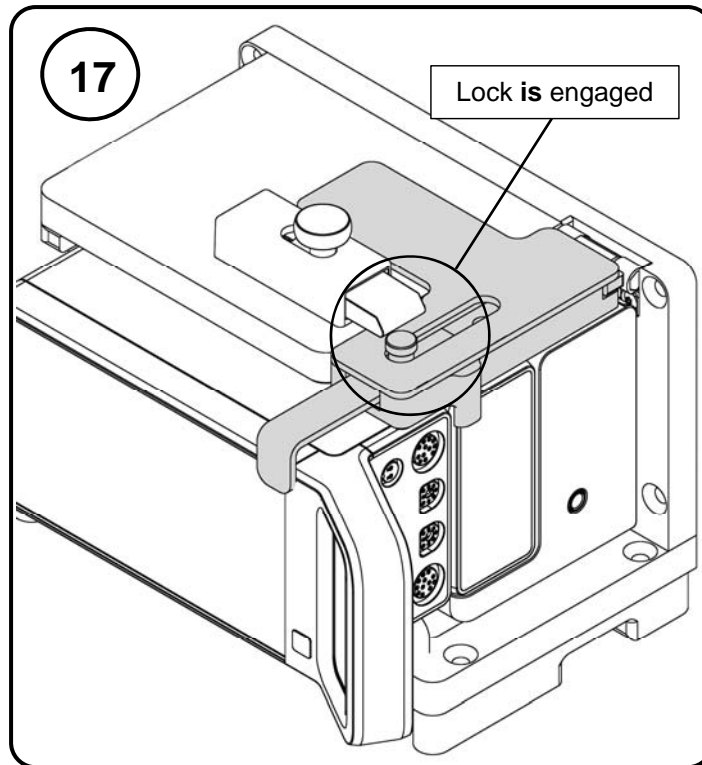
14 To increase the length of the latch, pull back the knob and move the slider from point A to point B. To shorten the length of the latch, pull back the knob and move the slider from point A to point B.



15 To secure the device, close the latch until end position is reached and the locking feature has secured the latch. No need to open the release button, while closing the latch.



16 The image shown above is an example of a latch that is **not** securely engaged and will not properly secure the monitor from moving around.



The image shown above is an example of a latch that **is** securely engaged and properly secures the monitor from moving around.

Routine Maintenance

Periodically inspect all fasteners associated with the mounting assembly. Tighten or Adjust as necessary for optimal operation and safety.

Cleaning the Mounting Assembly

The mounting assembly may be cleaned with most mild, non-abrasive solutions commonly used in the hospital environment (e.g. diluted bleach, ammonia, or alcohol solutions).

The surface finish will be permanently damaged by strong chemicals and solvents such as acetone or trichloroethylene.

Steel wool or other abrasive material should never be used.

Damage caused by the use of unapproved substances or processes will not be warranted. We recommend testing of any cleaning solution on a small area of the mounting assembly that is not visible to verify compatibility.

Never submerge or allow liquids to enter the mounting assembly. Wipe any cleaning agents off the mounting assembly immediately using a water-dampened cloth. Dry the assembly thoroughly after cleaning.

CAUTION: GCX makes no claims regarding the efficacy of the listed chemicals or processes as a means for controlling infection. Consult your hospital's infection control officer or epidemiologist. To clean or sterilize mounted devices or accessory equipment, refer to the specific instructions delivered with those products.