

Installation Guide

Mounting Adapter for Spacelabs 91220 mCARE 300 Monitor

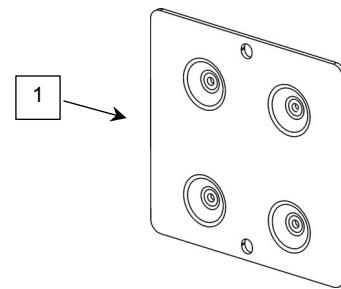
The purpose of this guide is to:

1. Describe attachment of Mounting Adapter to monitor.
2. Describe mounting monitor on roll stand or arm.

Parts Reference

The following parts and hardware are included in this installation kit:

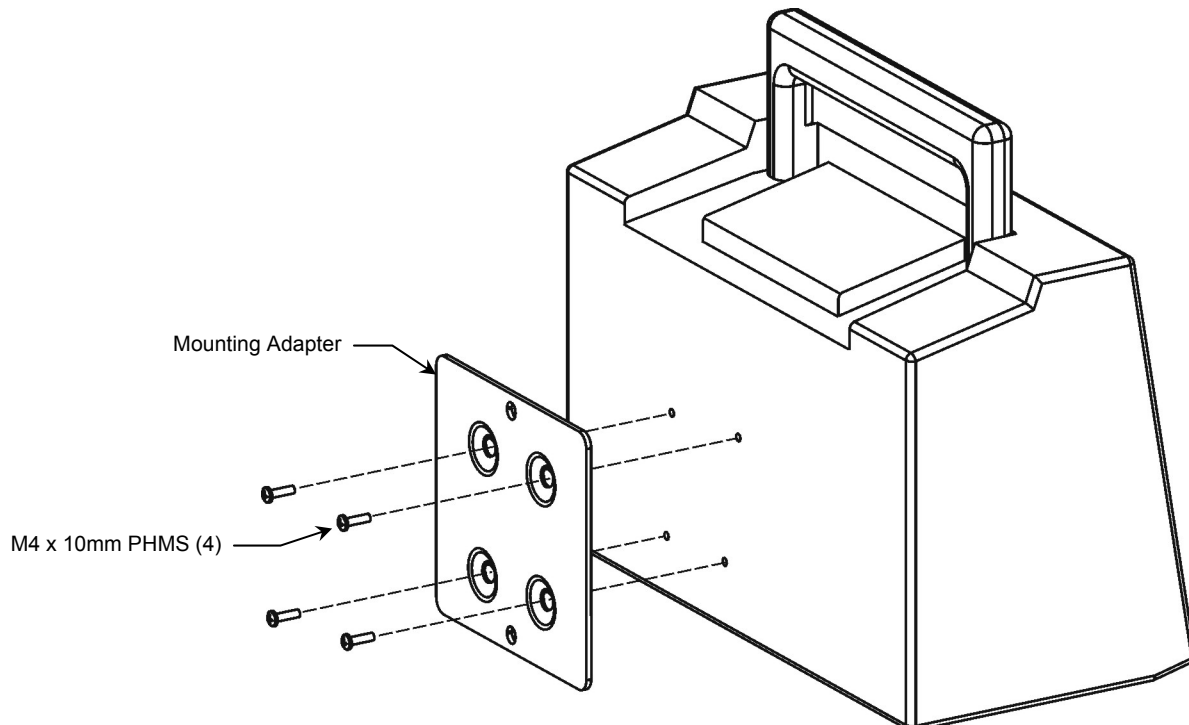
Item #	Description	Qty
1	Mounting Adapter	1
2	M4 x 10mm Pan Head Machine Screw (PHMS)	4



Tools required: Phillips screwdriver (not provided).

Attaching Mounting Adapter to Monitor

1. Fasten Mounting Adapter to rear of monitor with four (4) M4 x 10mm PHMS as shown below.



Mounting the Monitor

The only difference between Roll Stand and Arm-mounting is the location of the spring-loaded plunger on the Mounting Plate.

1. Slide the Mounting Adapter (rear of monitor) into the Mounting Plate while pulling the spring-loaded plunger. Continue sliding the monitor and plunger will snap into clearance hole when monitor is correctly mounted. Tighten Nylon screws on rear of Mounting Plate. **Installation Note:** If monitor is mounted on a VHM Arm, be sure to perform counterbalance adjustment on the Arm in accordance with *Installation & Operation Manual for VHM™ Series Arms (DU-WS-0001)*, section 3.0, page 5.

