

Installation Guide

Hanger Kit for Mounting Spacelabs Gas Module (91518) on VHM or M-Series Arm

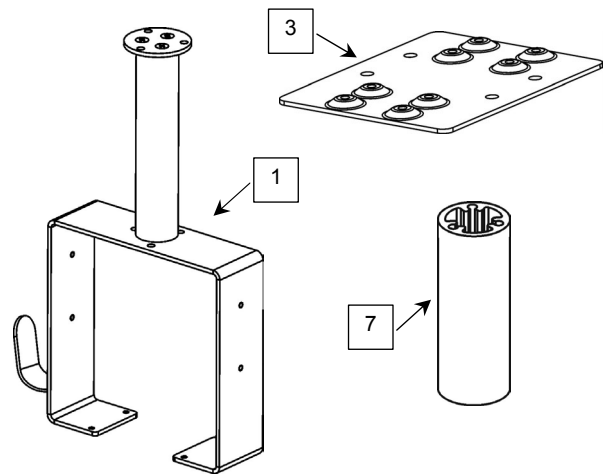
The purpose of this guide is to:

1. Describe the procedure for attaching the Gas Module Hanger to VHM or M-Series or Arm (page 2).
2. Describe the procedure for mounting the Gas Module in the Hanger (page 3).
3. Describe the procedure for replacing the Down Post (page 4).

Parts Reference

The following parts and hardware are included with this installation kit (major components shown):

Item #	Description	Qty
1	Hanger Assembly with 6" Down Post	1
2	#10-32 x 3/8" Socket Head Cap Screw (SHCS)	3
3	Subplate	1
4	#8-32 x 5/8" Pan Head Machine Screw (PHMS)	4
5	#8 x .030" Flat Washer	4
6	#8-32 x 1/4" Flat Head Machine Screw (FHMS)	4
7	3.5" Post	1
8	5/32" Ball-End Hex Wrench	1



Tools Required

5/32" hex wrench (provided), Phillips screwdriver (not provided).

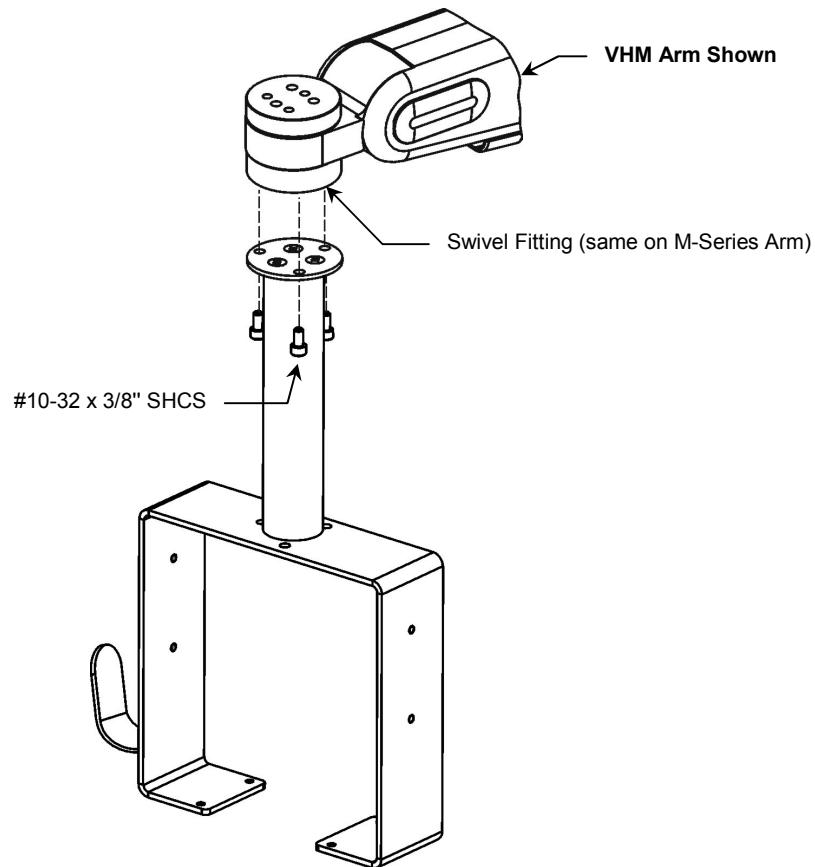
Installation Note

The Gas Module Hanger is pre-configured at the factory with a 6" Extension Post. If the 3.5" Extension Post is required, follow "Replacing 6" Post with 3.5" Post" on page 4.

Attaching the Module Housing Hanger to VHM or M-Series Arm

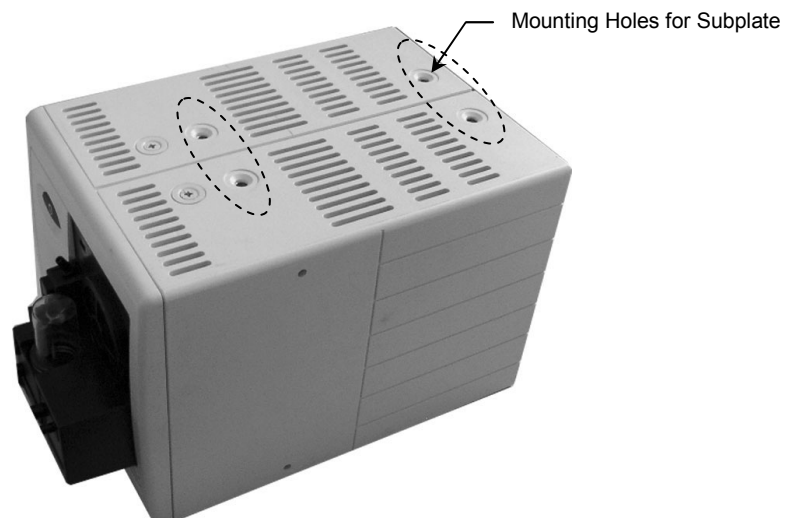
Installation Note: Attachment procedure is the same for VHM or M-Series Arm. Only the VHM Arm is shown below.

1. Using the 5/32" hex wrench provided, fasten Hanger to swivel fitting on bottom of arm with three (3) #10-32 x 3/8" SHCS as shown below.

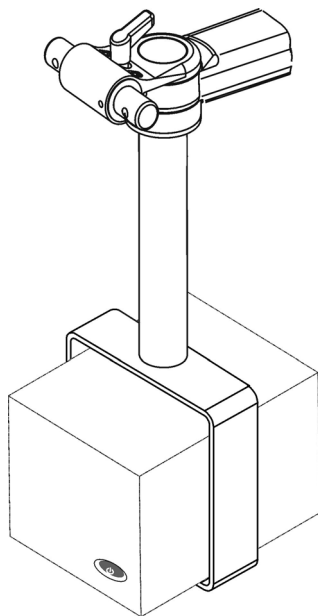
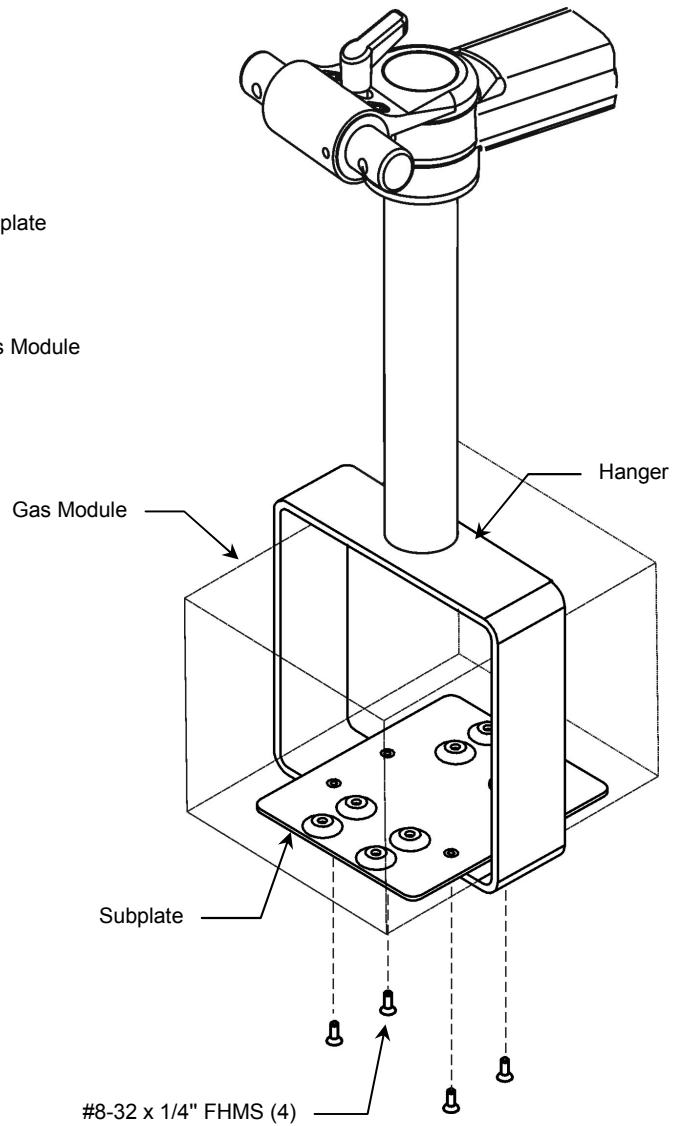
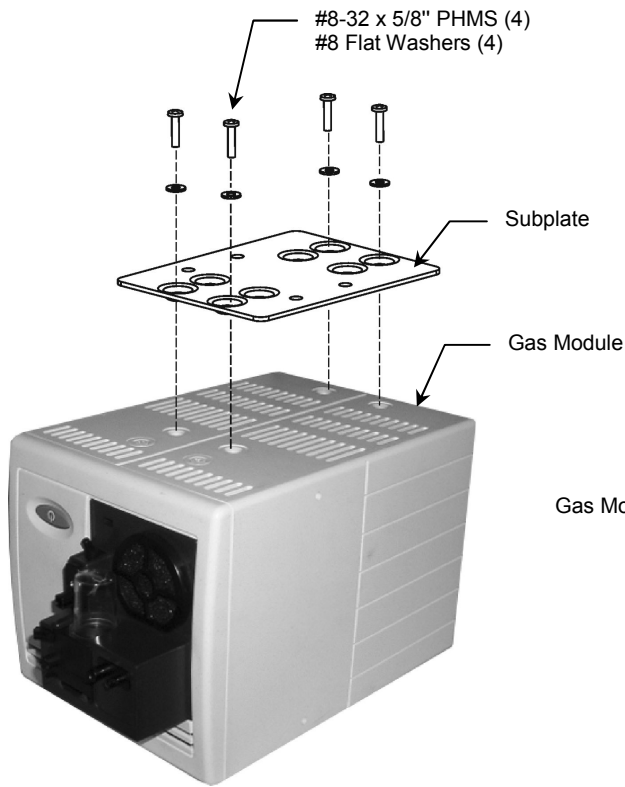


Mounting Gas Module in Hanger

1. Unscrew feet from bottom of gas module. Remove the two (2) flat head decorative screws from the mounting holes on the bottom front of the 91518. Insert the two (2) flat head decorative screws into the holes that were left by removal of the front feet, and then tighten.



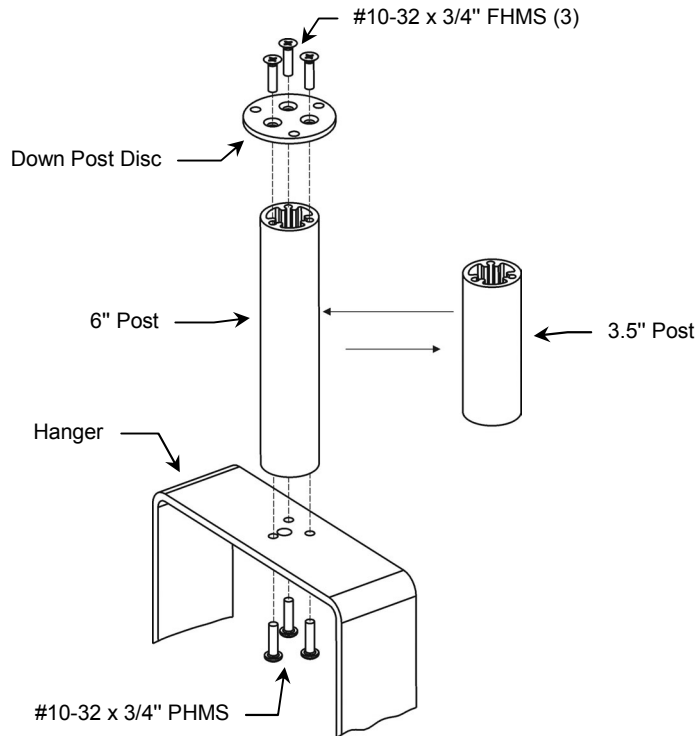
2. Fasten Subplate to bottom of gas module with four (4) #8-32 x 5/8" PHMS and #8 flat washers as shown below left.
3. Slide gas module (Subplate down) into Hanger and fasten Subplate to Hanger with four (4) #8-32 x 1/4" FHMS as shown below right.



Replacing 6" Post with 3.5" Post

Refer to illustration below for steps 1 through 3:

1. Using a Phillips screwdriver, unscrew the Down Post Disc from the 6" Post. Retain screws.
2. Unscrew the 6" Post from the Hanger. Retain screws.
3. Using hardware removed in steps 1 - 2; fasten 3.5" Post to Hanger, and Down Post Disc to other end of Post.



Attaching Hanger Directly to Bottom of M-Series Arm

Installation Note: This attachment is intended only for an M-Series Arm with swivel-only plunger plate as shown below.

1. Unscrew Post from Hanger (see illustration above).
2. Using the 5/32" hex wrench provided, fasten Hanger to swivel fitting on bottom of arm with three (3) #10-32 x 3/8" SHCS as shown below. Follow procedure on pages 2 – 3 for mounting module in Hanger.

