

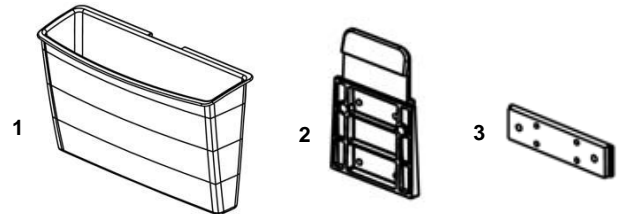
Installation Guide Chart Bin for VHRC (Rear Channel)

The purpose of this guide is to describe attachment of Chart Bin to VHRC rear Channel.

Parts Reference

The following parts and hardware are included in this installation kit (hardware not shown).

Item #	Description	Qty
1	Chart Bin	1
2	Cleat	1
3	VHRC Rear Channel Slide	1
4	10-32 x 1/2" Pan Head Machine Screw (PHMS)	2
5	1/8" Hex Wrench	1

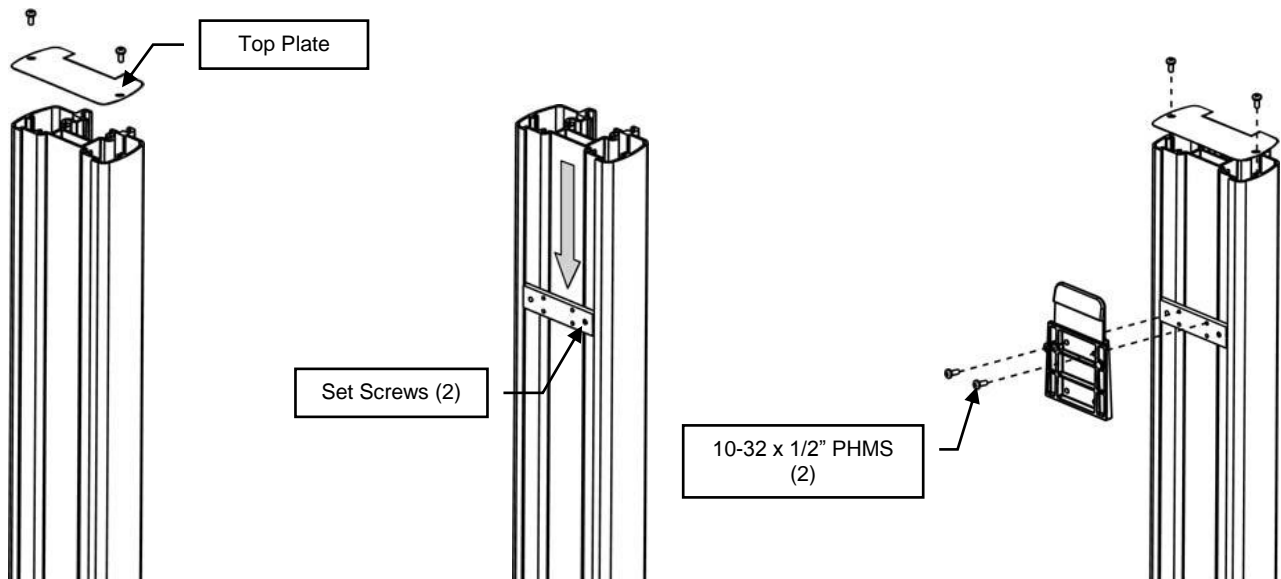


Tools Required

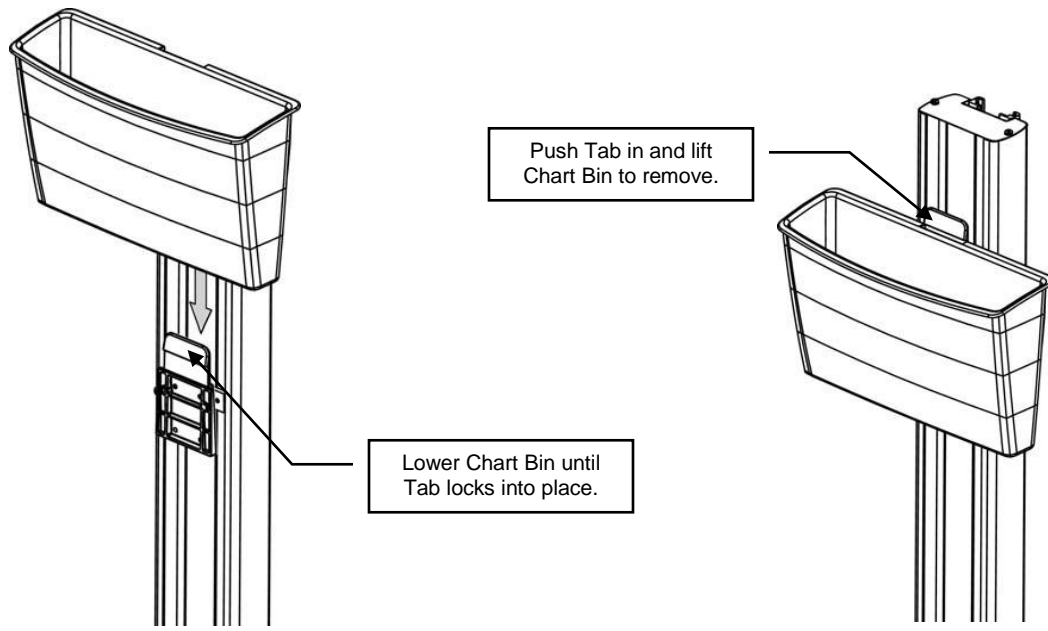
- Phillips screwdriver (not provided)
- 1/8" Hex Wrench (provided)

Attaching Chart Bin to VHRC

1. Using a Phillips screwdriver, remove the (2) screws securing the Top Plate from VHRC (below left).
2. Lower Slide into top of VHRC and position at desired location. Secure in place by tightening the (2) set screws with 1/8" Hex Wrench (below center).
3. Using a Phillips screwdriver, attach Cleat to Slide with (2) 10-32 x 1/2" PHMS. Attach Top Plate with original mounting screws (below right).



4. Lower Chart Bin onto Cleat until the Tab locks Bin into place. Push Tab in and lift Chart Bin to remove.



Routine Maintenance

Periodically inspect all fasteners associated with the mounting system. Tighten as necessary for optimal operation and safety.

Cleaning the Mounting Assembly

1. The mounting assembly may be cleaned with most mild, non-abrasive solutions commonly used in the hospital environment (e.g. diluted bleach, ammonia, or alcohol solutions).
2. The surface finish will be permanently damaged by strong chemicals and solvents such as acetone and trichloroethylene.
3. Do not use steel wool or other abrasive material to clean the mounting assembly.
4. Damage caused by the use of unapproved substances or processes will not be covered by warranty. We recommended that you test any cleaning solution on a small area of the mounting assembly that is not visible to verify compatibility.
5. Never submerge or allow liquids to enter the mounting assemblies. Wipe any cleaning agents off the mounting assembly immediately using a water-dampened cloth. Dry all mounting assemblies thoroughly after cleaning.

CAUTION: GCX makes no claims regarding the efficacy of the listed chemicals or processes as a means for controlling infection. Consult your hospital's infection control officer or epidemiologist. To clean or sterilize mounted instruments or accessory equipment, refer to the specific instructions delivered with those products.