

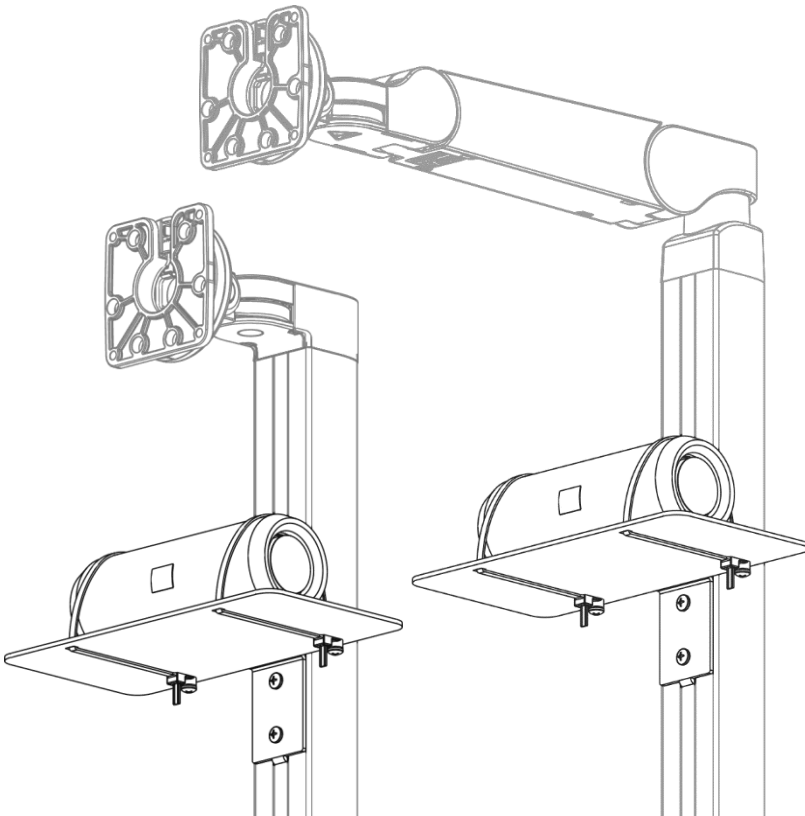
Installation Guide

Tablet Roll Stand JBL Charge 4 and Flip 5 Speaker Mount

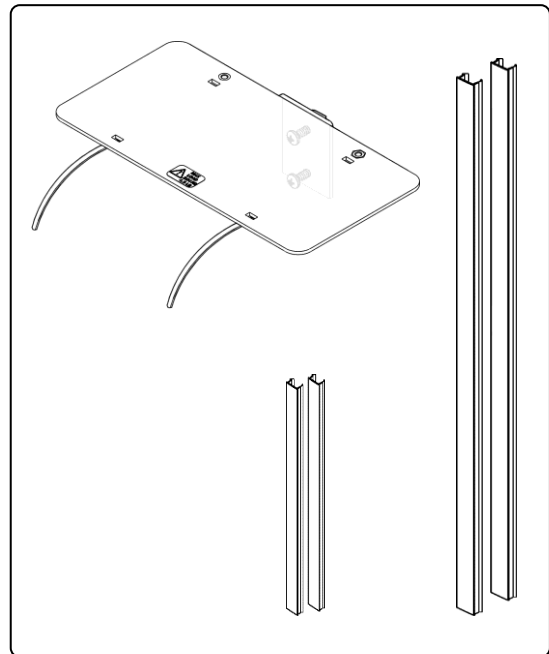
Installation note: This JBL Speaker mount is compatible with GCX fixed and adjustable height Tablet Roll Stands (TRS). The speaker mount includes 2X 15" long cable ties. These cable ties work with a speaker of 3.9" in diameter as a maximum. For square shaped speakers, maximum dimensions are 3.8"H x 3.8" D x 9.3" W. 4.5 lb. Max. Weight of the speaker.



Max Weight – 4.5 lbs / 2kg



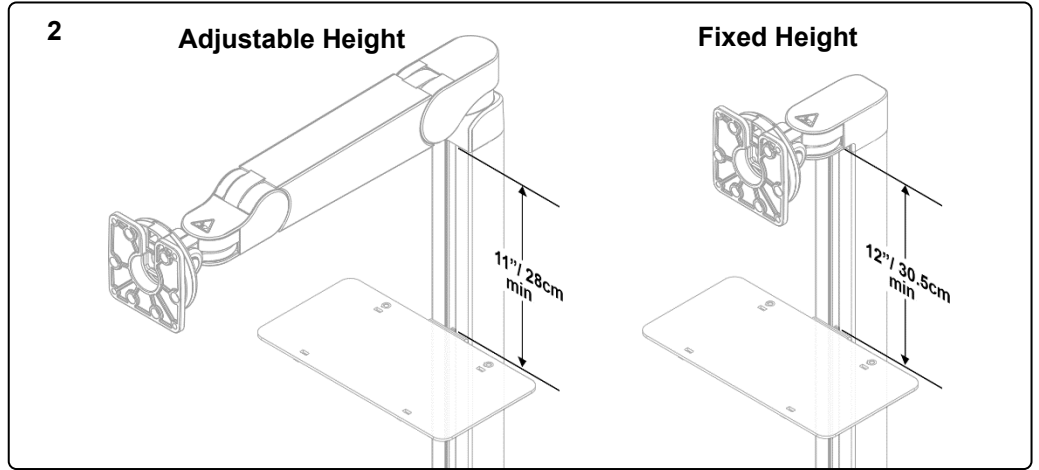
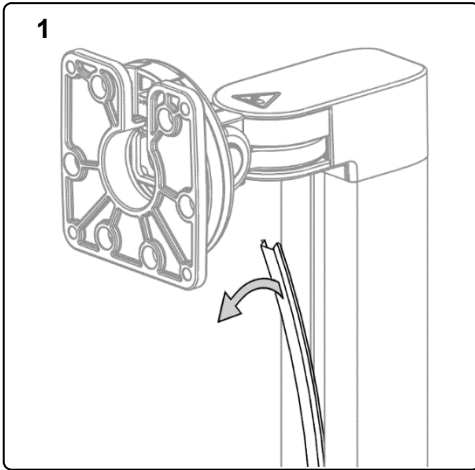
Parts Reference



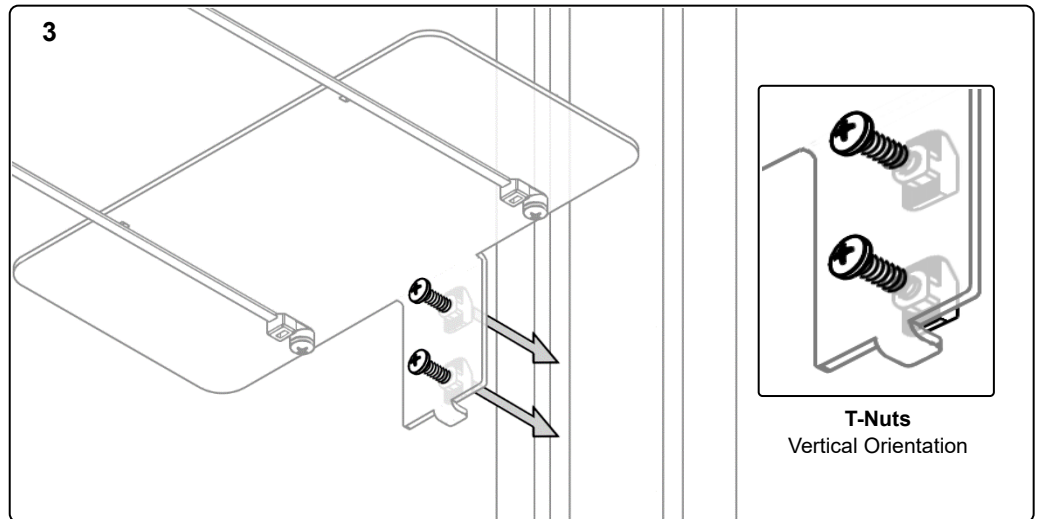
Tools Required

- #2 Phillips Screwdriver (not provided)
- Tape measure (not supplied)
- Cable/Wire Cutters (not provided)
- Utility Knife (not supplied)

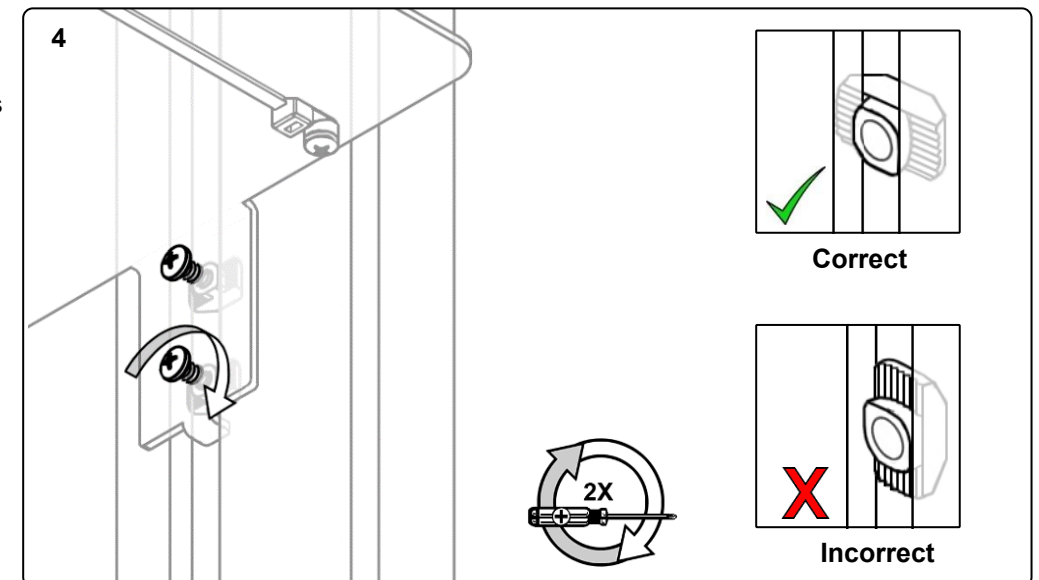
1. Remove the slot cover from the front of the TRS post, retain slot cover.
2. The top of the Speaker Mount should be positioned approximately 11" below the top of the TRS post as a minimum, depending on how large the installed tablet is. (Adjustable Height version). For the Fixed height the minimum distance is 12" from top of the post to the top of the Speaker Mount.



3. Position the speaker mount at desired location and guide the T-nuts (oriented vertically) into the cable slot.

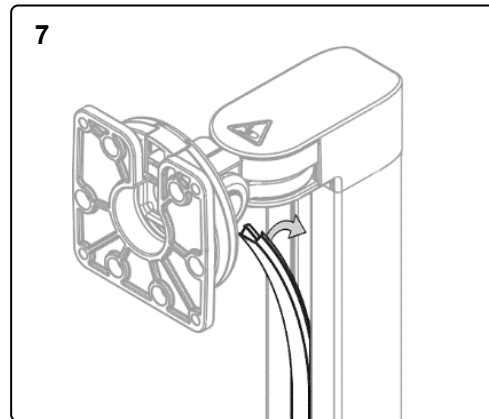
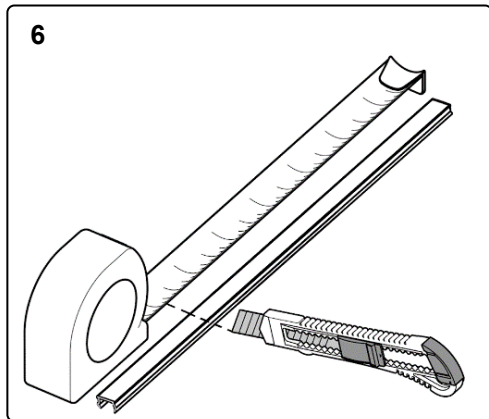
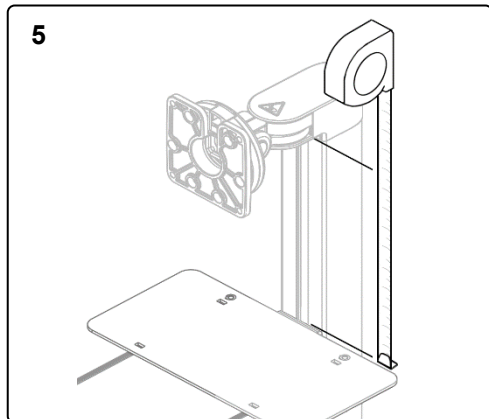


4. With the Speaker Mount engaged in the cable slot, and in desired position tighten each screw using the #2 Philips screwdriver. Make sure each T-Nut rotates and engages inside the cable slot properly, so the Mounting Cleat is secure on the post.

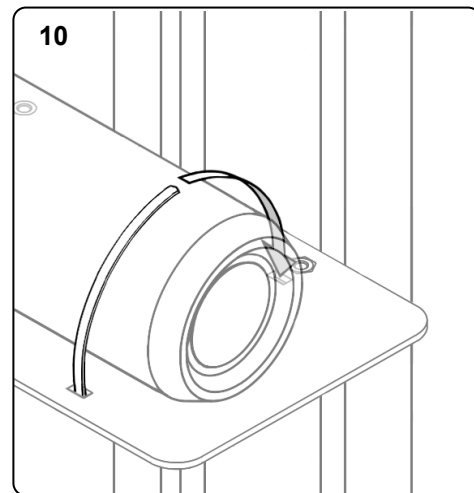
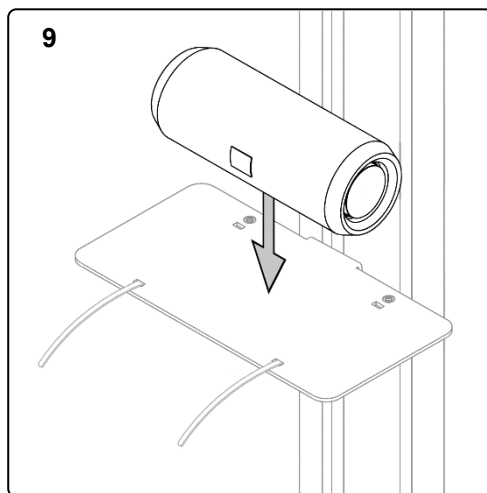
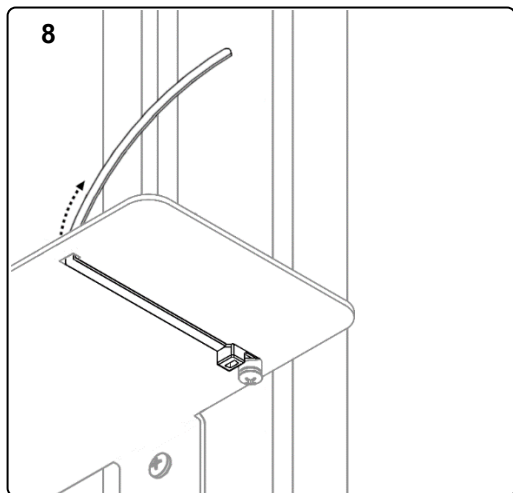


The Speaker Mount kit is supplied with two additional lengths of cable slot covers; these can be used with the slot cover removed earlier. Note they will need to be trimmed to fit above/below the Speaker Mount.

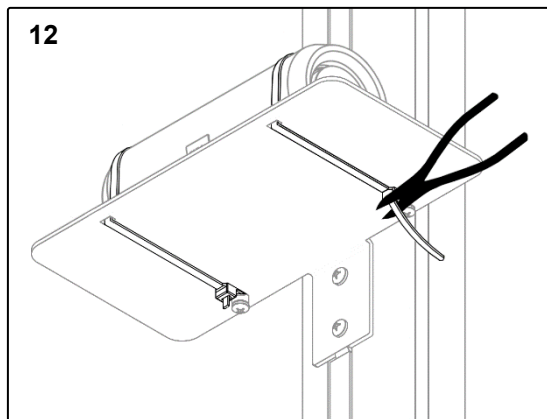
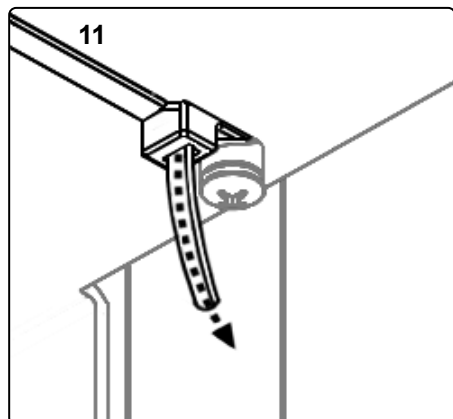
5. Measure the exposed/open cable slot above and below the Speaker mount.
6. Cable Slot Covers can be cut using a utility knife, carefully cut them to lengths measured above on a solid surface.
7. Install each Cable Slot Cover to the exposed/open cable slots on the TRS post, above and below the Speaker Mount, press them in so they are flush with adjacent surfaces.



8. Guide the cable ties through the front cable slots on the shelf.
9. Position speaker on shelf.
10. Route the cable ties over the speaker and through the rear slots.



11. Guide the cable ties through the cable tie receiver and firmly pull to secure speaker.
12. Trim excess cable tie as needed.



Routine Maintenance

Periodically inspect all fasteners associated with the mounting system. Tighten or adjust fasteners as necessary for optimal operation and safety.

Cleaning the Mounting Assembly

1. The mounting assembly may be cleaned with most mild, non-abrasive solutions commonly used in the hospital environment (e.g. diluted bleach, ammonia, or alcohol solutions).
2. The surface finish will be permanently damaged by strong chemicals and solvents such as acetone or trichloroethylene.
3. Do not use steel wool or other abrasive material.
4. Damage caused by the use of unapproved substances or processes will not be warranted. It is recommended that you test any cleaning solution on a small area of the mounting assembly that is not visible to verify compatibility.
5. Never submerge or allow liquids to enter the mounting assembly. Wipe any cleaning agents off of the mounting assembly immediately, using water dampened cloth. Dry the mounting assembly thoroughly after cleaning.

CAUTION: GCX makes no claims regarding the efficacy of the listed chemicals or processes as a means for controlling infection. Consult your hospital's infection control officer or epidemiologist. To clean or sterilize mounted devices or accessory equipment, refer to the specific instructions delivered with those products before installation.